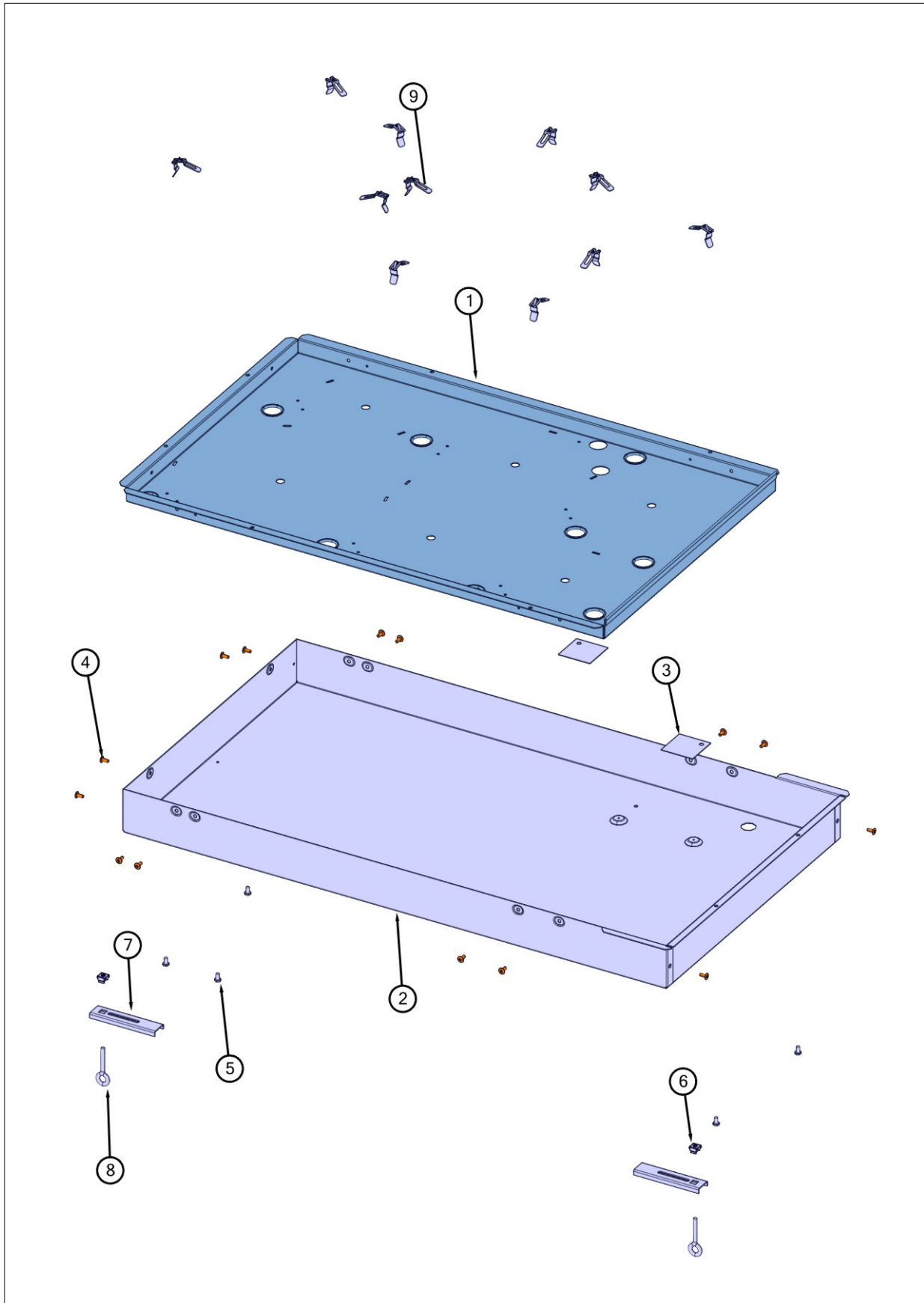


**VECU53616BSB**

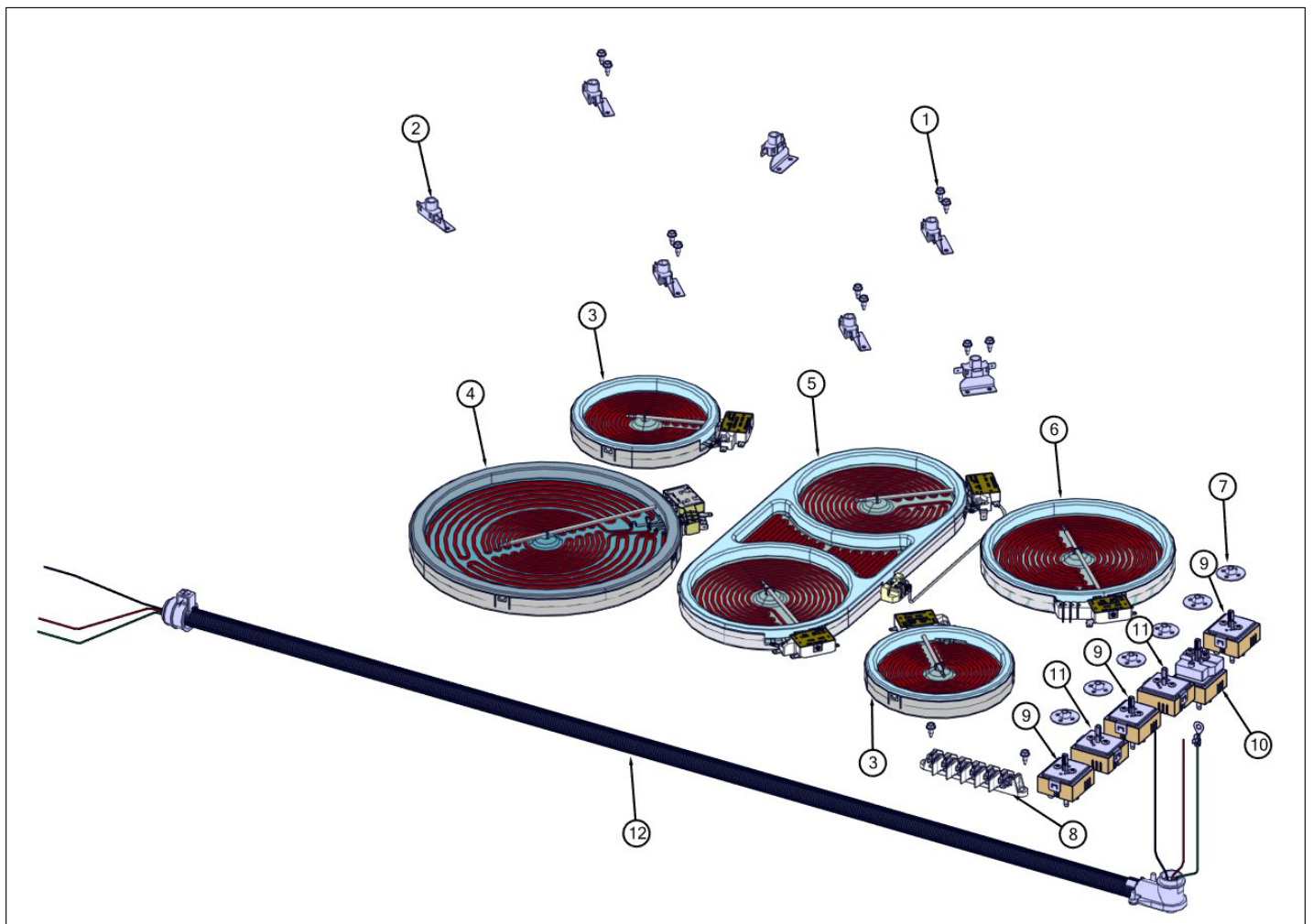
Burner Box View .....	1
Electrical View .....	2
Top View .....	3
Wiring View .....	4
Wiring Diagram View .....	5
FR Wiring Diagram View .....	6
Appendix A:Pages Index .....	A
Appendix B:Parts Index .....	B

Burner Box View



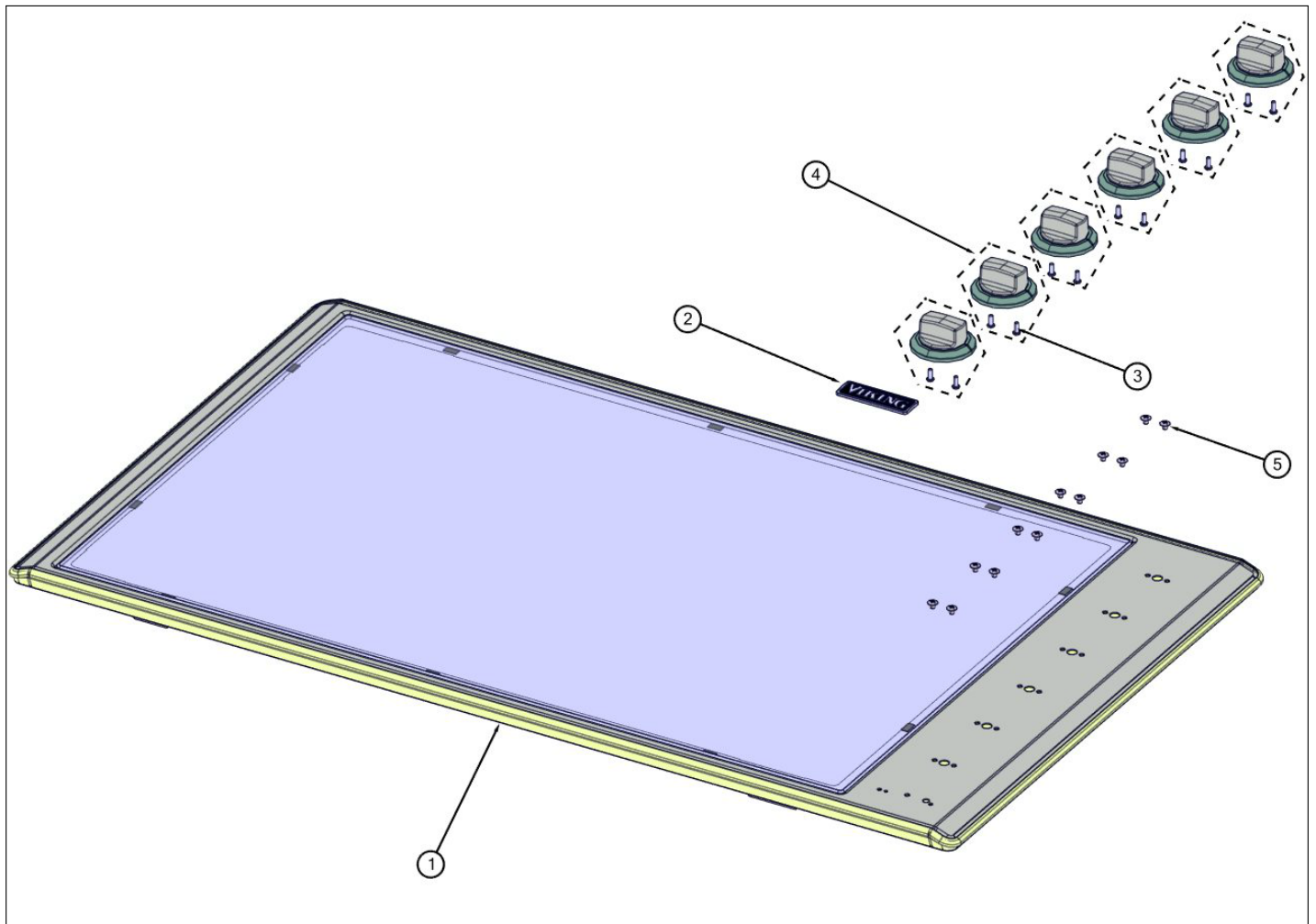
Item	Part No.	Name	Qty	Uom	NOTES
1	040063-000	BOX, ELEMENT, MTG, 36"	1	EA	
2	040064-000	BOX, BURNER, 36"	1	EA	
3	036559-000	INSULATION, ELEC	2	EA	
4	008863-000	SCREW #8 - 18 X 3/8, PHIL, LOW PROFILE TRUSS	8	EA	
5	PD020004	10X3/8PH.HD.TYPE 25 REPL PD040125	2	EA	
6	PD030029	SELF RETAINING NUT (1/4-20)	6	EA	
7	038618-000	BRACKET, HOLD	6	EA	
8	PD010027	EYE BOLT-VGSU101/161	6	EA	
9	026923-000	CLIP, SPRING, ELECTRIC ELEMENT	11	EA	

Electrical View



Item	Part No.	Name	Qty	Uom	NOTES
1	003860-000	10-18 x .500 FASTNR,SCR,HXWH,STL,ZPLT	16	EA	
2	042092-000	LIGHT, IND, ASM	7	EA	
3	031377-000	SINGLE 1200W ELEMENT	2	EA	
4	031373-000	TRIPLE 3200W (1100/1000/1100) ELEMENT	1	EA	
5	040617-000	ELEMENT, BRIDGE	1	EA	
6	031376-000	DOUBLE 2000W (1000/1000) ELEMENT	1	EA	
7	PB070078	SILICONE GASKET (DESU)	6	EA	
8	054135-000	BLOCK, TERMINAL, 6-POLE (Heyco # 9454)	1	EA	
9	031728-000	SINGLE INFINITE SWITCH	3	EA	
10	031734-000	TRIPLE INFINITE SWITCH	1	EA	
11	031733-000	DUAL INFINITE SWITCH	2	EA	
12	040189-000	HARNESS, CNDDT, IND	1	EA	

Top View





Item	Part No.	Name	Qty	Uom	NOTES
1	067014-2745	TOP ASM, VECU53616BSB W/GRAPHICS	1	EA	
2	065859-000	NAMEPLATE, VIKING, ADHESIVE W/PINS, 2.750"	1	EA	
3	PD020076	6-32 X 3/8" PHILL PAN MS	2	EA	
4	066271-000	KNOB, CKTP, ELEC BLACK CHROME	4	EA	
5	PD020167	8-32 X 3-16 PH PAN HEAD	12	EA	Not available online / Call for pricing and availability





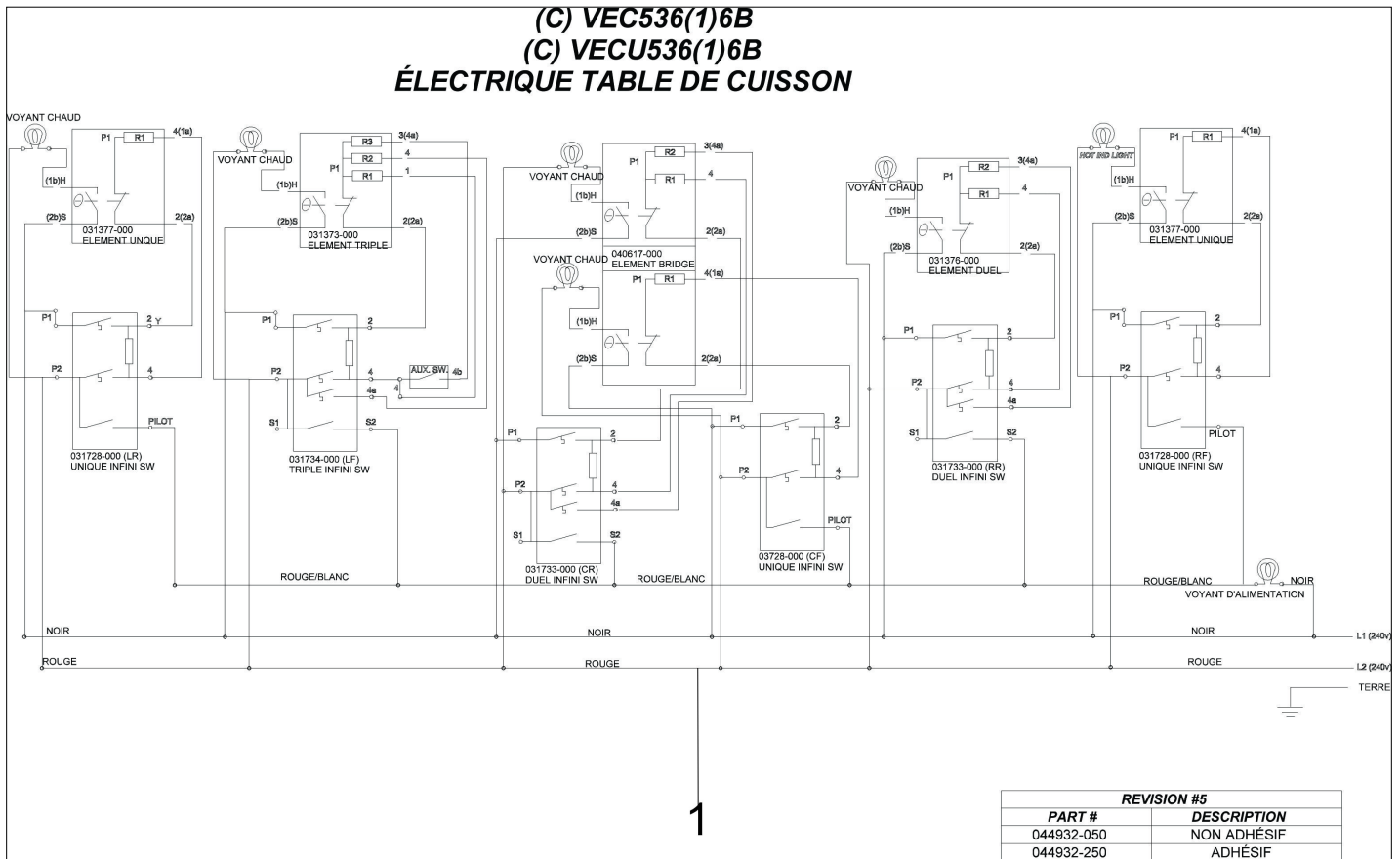
Item	Part No.	Name	Qty	Uom	NOTES
1	042805-000	WIRE HARNESS, ELEC, COOKTOP, 36", 5 SERIES	1	EA	





Item	Part No.	Name	Qty	Uom	NOTES
1	044932-200	DIAG, W, VEC5366B, ADH	1	EA	

FR Wiring Diagram View



1



VECU53616BSB

Item	Part No.	Name	Qty	Uom	NOTES
1	044932-250	DIAG, W, VEC5366B, FR, ADH	1	EA	



Appendix A:Pages Index

Burner Box View ..... 1  
Electrical View ..... 2  
FR Wiring Diagram View ..... 6  
Top View ..... 3  
Wiring Diagram View ..... 5  
Wiring View ..... 4



Appendix B:Parts Index

003860-000 ..... 2  
008863-000 ..... 1  
026923-000 ..... 1  
031373-000 ..... 2  
031376-000 ..... 2  
031377-000 ..... 2  
031728-000 ..... 2  
031733-000 ..... 2  
031734-000 ..... 2  
036559-000 ..... 1  
038618-000 ..... 1  
040063-000 ..... 1  
040064-000 ..... 1  
040189-000 ..... 2  
040617-000 ..... 2  
042092-000 ..... 2  
042805-000 ..... 4  
044932-200 ..... 5  
044932-250 ..... 6  
054135-000 ..... 2  
065859-000 ..... 3  
066271-000 ..... 3  
067014-2745 ..... 3  
PB070078 ..... 2  
PD010027 ..... 1  
PD020004 ..... 1  
PD020076 ..... 3  
PD020167 ..... 3  
PD030029 ..... 1