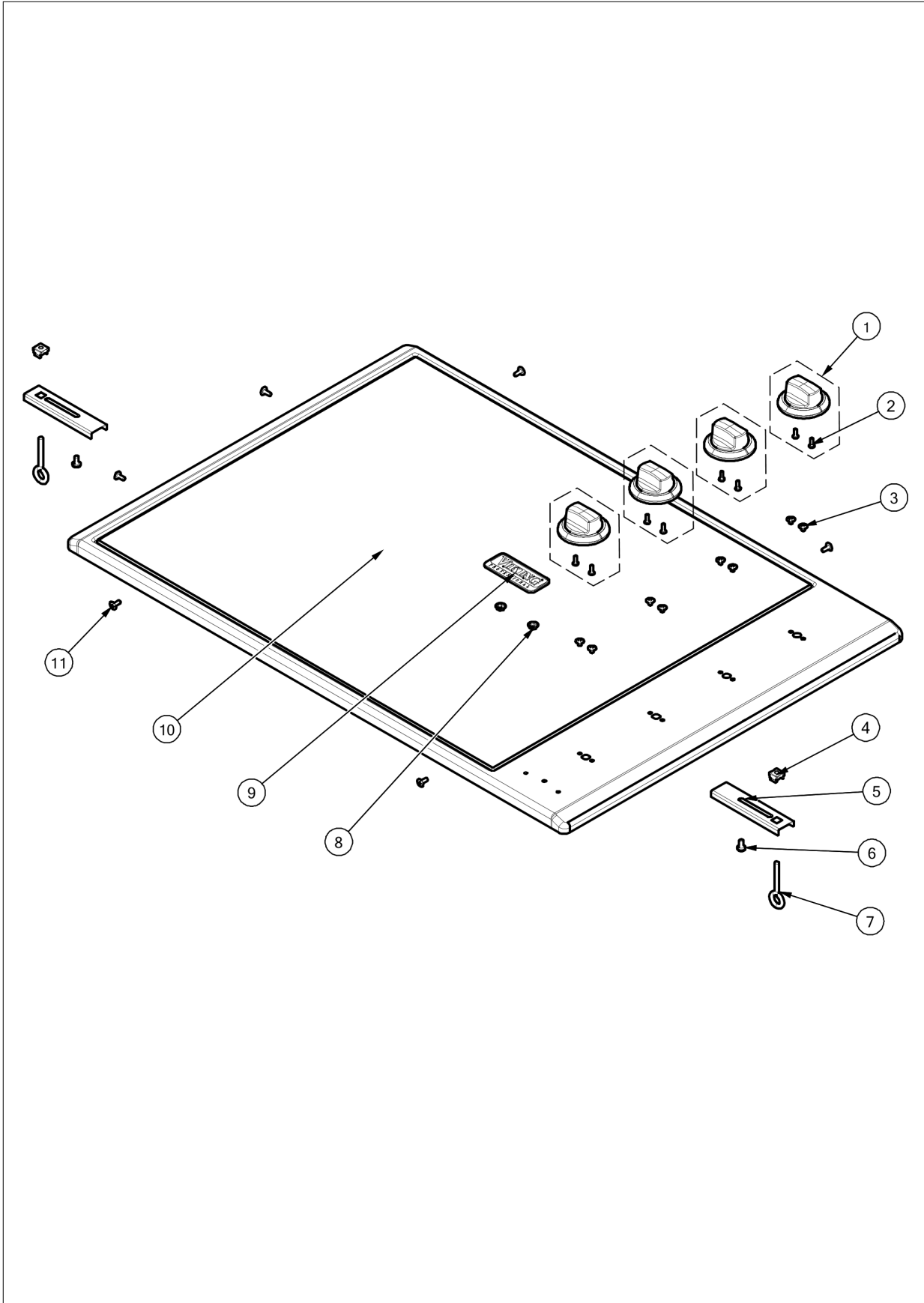


VECU5304B Cooktop

VECU5304B Control and Top Assy	1
VECU5304B Lower Assembly	2
Appendix A:Pages Index	A
Appendix B:Parts Index	B

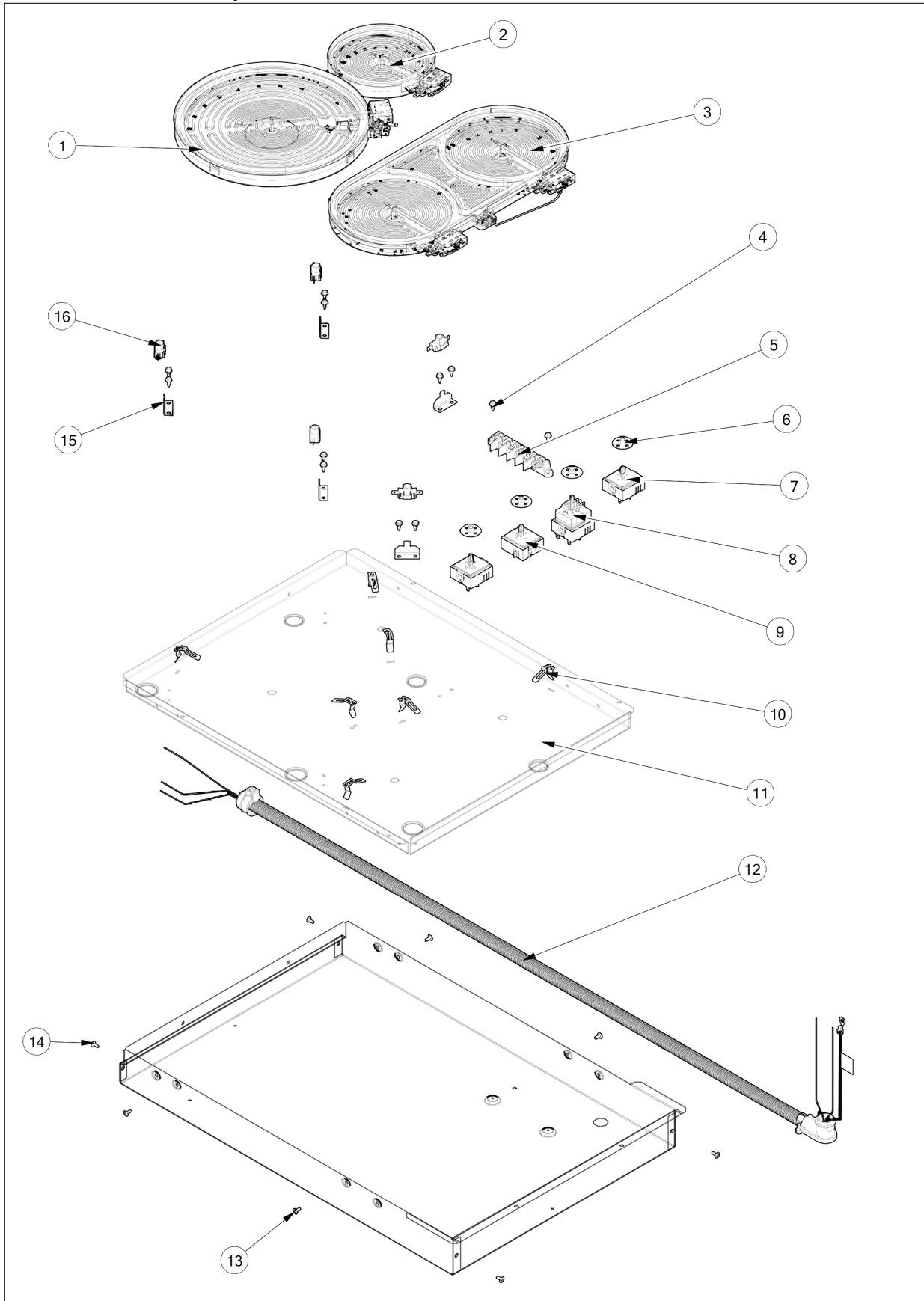
VECU5304B Control and Top Assy





Item	Part No.	Name	Qty	Uom	NOTES
1	040186-000	ELEC, KNOB, ASM	4	EA	
2	PD020076	6-32 X 3/8" PHILL PAN MS	8	EA	
3	PD020167	8-32 X 3-16 PH PAN HEAD	8	EA	Not available online / Call for pricing and availability
4	PD030029	SELF RETAINING NUT (1/4-20)	2	EA	
5	038618-000	BRACKET, HOLD	2	EA	
6	PD020004	10X3/8PH.HD.TYPE 25 REPL PD040125	2	EA	
7	PD010027	EYE BOLT-VGSU101/161	2	EA	
8	PD030006	CAPPED WASHER PAL NUT	2	EA	
9	PE010142	3" LOGO *BK**CHROME	1	EA	
10	066991-2744	TOP ASM, VECU5301 W/GRAPHICS	1	EA	
11	008863-000	SCREW #8 - 18 X 3/8, PHIL, LOW PROFILE TRUSS	6	EA	

VECU5304B Lower Assembly





Item	Part No.	Name	Qty	Uom	NOTES
1	031373-000	TRIPLE 3200W (1100/1000/1100) ELEMENT	1	EA	
2	031377-000	SINGLE 1200W ELEMENT	1	EA	
3	043271-000	ELEMENT, BRIDGE	1	EA	
4	003860-000	10-18 x .500 FASTNR,SCR,HXWH,STL,ZPLT	12	EA	
5	054135-000	BLOCK, TERMINAL, 6-POLE (Heyco # 9454)	1	EA	
6	PB070078	SILICONE GASKET (DESU)	4	EA	
7	031728-000	SINGLE INFINITE SWITCH	2	EA	
8	031734-000	TRIPLE INFINITE SWITCH	1	EA	
9	031733-000	DUAL INFINITE SWITCH	1	EA	
10	026923-000	CLIP, SPRING, ELECTRIC ELEMENT	7	EA	
11	039970-000	BOX, ELEMENT, MTG, 30"	1	EA	
12	040189-000	HARNESS, CNDT, IND	1	EA	
13	008863-000	SCREW #8 - 18 X 3/8, PHIL, LOW PROFILE TRUSS	8	EA	
14	041593-000	BRKT, LIGHT, IND	5	EA	
15	PE050077	INDICATOR LIGHT	5	EA	
NI	043157-000	WIRE HARNESS, ELEC, COOKTOP, 30", 5 SERIES	1	EA	



Appendix A:Pages Index

VECU5304B Control and Top Assy 1
VECU5304B Lower Assembly 2



Appendix B:Parts Index

003860-000	2
008863-000	1, 2
026923-000	2
031373-000	2
031377-000	2
031728-000	2
031733-000	2
031734-000	2
038618-000	1
039970-000	2
040186-000	1
040189-000	2
041593-000	2
043157-000	2
043271-000	2
054135-000	2
066991-2744	1
PB070078	2
PD010027	1
PD020004	1
PD020076	1
PD020167	1
PD030006	1
PD030029	1
PE010142	1
PE050077	2