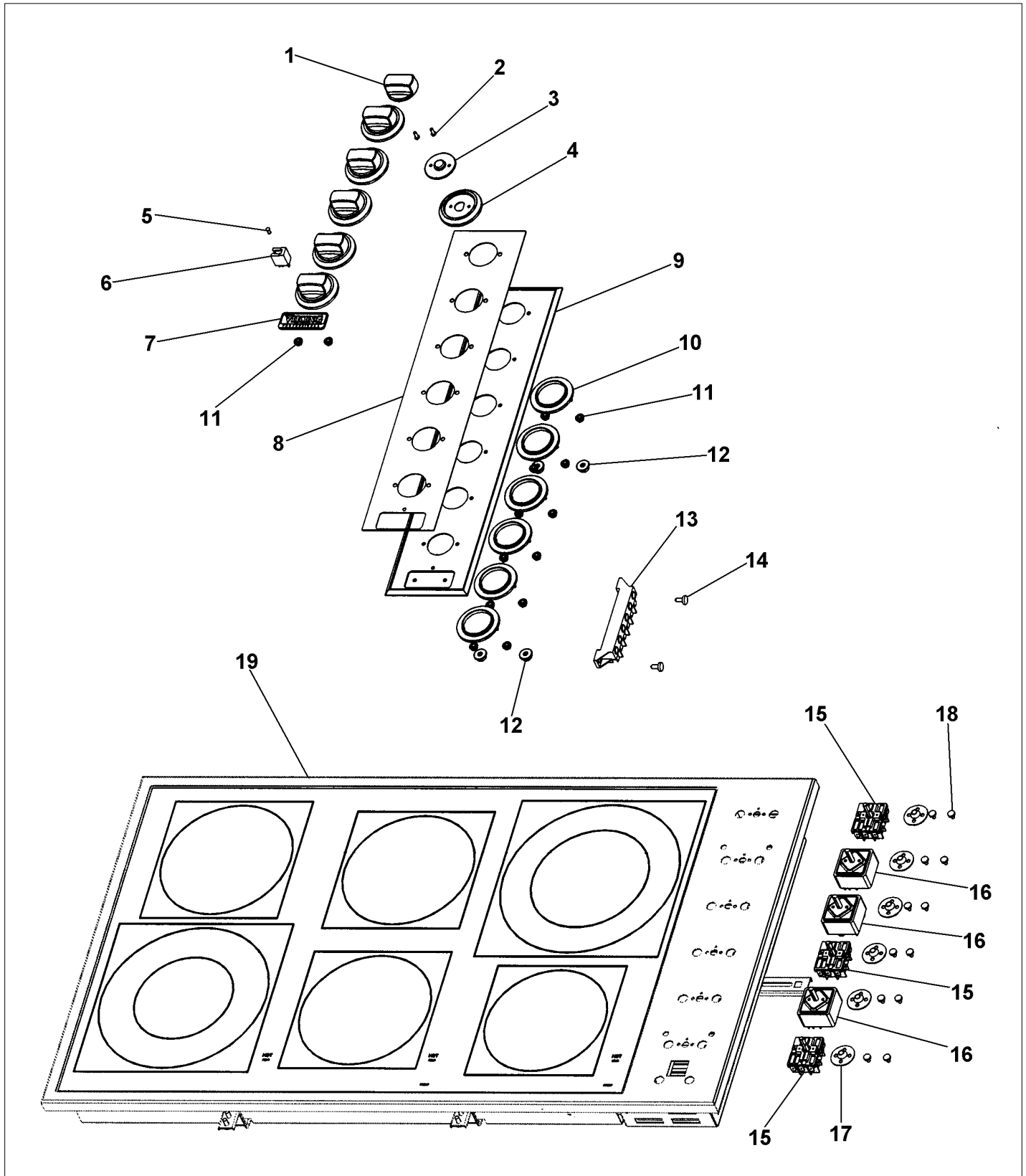


**VECU166**

CONTROL AND TOP ASSY .....	1
LOWER ASSY .....	2
Appendix A:Pages Index .....	A
Appendix B:Parts Index .....	B

CONTROL AND TOP ASSY

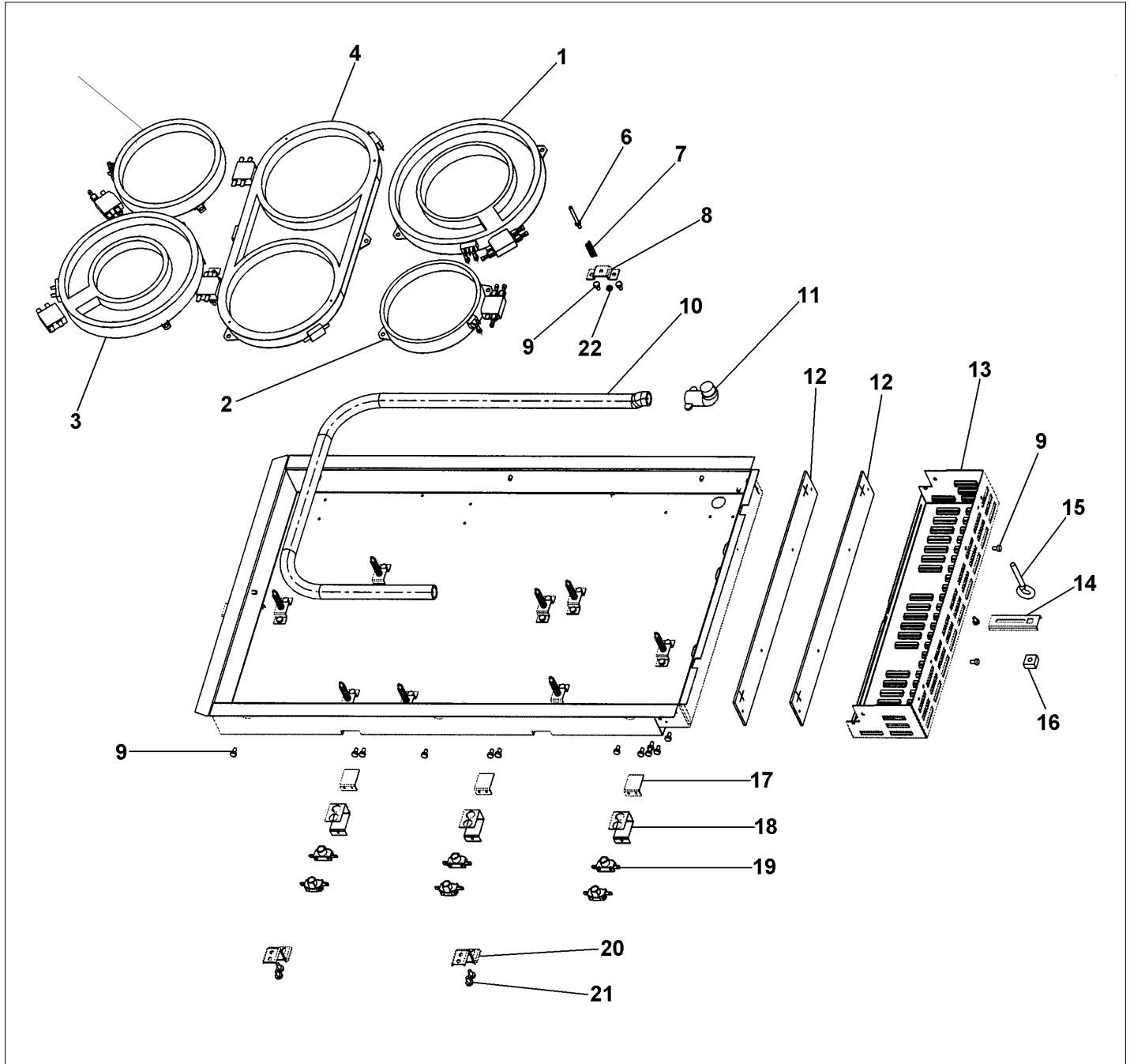


Item	Part No.	Name	Qty	Uom	NOTES
1	PA010174	COOKTOP KNOB BLACK	1	EA	
	PA010175	COOKTOP KNOB (WHITE)	1	EA	NO LONGER AVAILABLE
	036415-000	KNOB, BODY VGSU CR3	1	EA	
2	PD020076	6-32 X 3/8" PHILL PAN MS	1	EA	
3	PA010179	VESC KNOB MOUNT CORE	1	EA	NO LONGER AVAILABLE
4	PB010263	UPPER BEZEL	1	EA	
	PB010263PVD	UPPER BEZEL BRASS (BLACK)	1	EA	
5	PE050187	POWER LIGHT LENS	1	EA	
6	PE050079	LENS OPENING	1	EA	
7	PE010165	VIKING CHROME PLATE LOGO	1	EA	
	PE010166	VIKING LOGO BRASS	1	EA	NO LONGER AVAILABLE
	PE010176	2.5" WHITE CHROME LOGO	1	EA	Not available online / Call for pricing and availability
	PE010177	2.5" WHITE BRASS LOGO	1	EA	
8	PE040252	VECU 36" CONTROL PANEL INLAY	1	EA	
	PE040265	VECU 36" CONTROL PANEL INLAY WHITE GRAPHICS	1	EA	NO LONGER AVAILABLE
9	PE040251	36" ELECTRIC CONTROL PANEL	1	EA	
10	PB010262	LOWER BEZEL	1	EA	
11	PD030006	CAPPED WASHER PAL NUT	1	EA	
12	PD030142	SERRATED FLANGE NUT - 5/16NC	1	EA	NO LONGER AVAILABLE
13	054135-000	BLOCK, TERMINAL, 6-POLE (Heyco # 9454)	1	EA	
14	PD020002	10 X 1/2 PH.TR.HD.SMS.	1	EA	
15	G50013540	DUAL INFINITE SWITCH	1	EA	
	NOTE	(BEFORE 02/04/05)		EA	
15	074017-000	Dual infinite switch kit	1	EACH	
	NOTE	(ON OR AFTER 02/04/05)		EA	
16	PJ030016	INFINITE SWITCH (VESU)	1	EA	
	NOTE	(BEFORE 02/04/05)		EA	



Item	Part No.	Name	Qty	Uom	NOTES
16	PJ030019	INFINITE SWITCH	1	EA	
	NOTE	(FROM 02/04/05 THRU 04/27/09)		EA	
16	PJ030049	SINGLE INFINITE SWITCH	1	EA	
	NOTE	(ON OR AFTER 04/27/09)		EA	
17	PB070078	SILICONE GASKET (DESU)	1	EA	
18	PD020044	#8-32 X 1/4" PH. TR. HD. M.S.	1	EA	
19	G50012147BK	36" VECU TOP ASSY *BK*	1	EA	NO LONGER AVAILABLE
	G50012147WH	36" VECU TOP ASSY *WH*	1	EA	NO LONGER AVAILABLE, Not available online / Call for pricing and availability

LOWER ASSY



Item	Part No.	Name	Qty	Uom	NOTES
1	076901-000	ASM, ELEMENT, RIBBON - 3000/1400W	1	EACH	
2	PJ020006	1200 ELEMENT	1	EA	
3	PJ020002	ELEMENT 2200 (750)	1	EA	
4	079358-000	Bridge element replacement kit	1	EACH	
5	076900-000	ASM, ELEMENT, RIBBON - 1500W	1	EA	
6	PD010048	BURNER GUIDE ASSEMBLY DESU	1	EA	
7	PC010006	GUIDE SPRING DESU	1	EA	
8	A2005055	BOTTOM ELEMENT BRACKET (VESU)	1	EA	NO LONGER AVAILABLE
9	PD020004	10X3/8PH.HD.TYPE 25 REPL PD040125	1	EA	
10	PB020071	CONDUIT - FLEXIBLE (48")	1	EA	
11	PB040070	CONDUIT FITTING (90 DEG)	1	EA	
12	PB070232	FOIL BACK INSULATION	1	EA	NO LONGER AVAILABLE
13	A2005056	CONTROL PANEL BOX	1	EA	NO LONGER AVAILABLE, Not available online / Call for pricing and availability
14	A2003053	Retainer Bracket	1	EA	
15	PD010027	EYE BOLT-VGSU101/161	1	EA	
16	PD030029	SELF RETAINING NUT (1/4-20)	1	EA	
17	A2005062	LIGHT SUPPORT	1	EA	NO LONGER AVAILABLE, Not available online / Call for pricing and availability
18	A2005061	LIGHT COVER	1	EA	NO LONGER AVAILABLE, Not available online / Call for pricing and availability
19	PE050077	INDICATOR LIGHT	1	EA	
20	A2105068	MOUNTING BRACKET	1	EA	
21	PD020002	10 X 1/2 PH.TR.HD.SMS.	1	EA	
22	PD040056	ELEMENT STUD NUT	1	EA	NO LONGER AVAILABLE

Item	Part No.	Name	Qty	Uom	NOTES
NI	PE070644	VECU166 WIRE HARNESS	1	EA	NO LONGER AVAILABLE
NI	G4003016	GREEN - SUPPLY WIRE	1	EA	NO LONGER AVAILABLE, Not available online / Call for pricing and availability
NI	PE070563	*BK* WIRE (8 GA.SF-2 200DEG.C600V)	1	EA	NO LONGER AVAILABLE, Not available online / Call for pricing and availability
NI	PE070562	RED WIRE (8 GA. SF-2 200 DEG.C 600V)	1	EA	NO LONGER AVAILABLE, Not available online / Call for pricing and availability



Appendix A:Pages Index

CONTROL AND TOP ASSY .....1  
LOWER ASSY ..... 2



Appendix B:Parts Index

036415-000 .....	1	PE010177 .....	1
054135-000 .....	1	PE040251 .....	1
074017-000 .....	1	PE040252 .....	1
076900-000 .....	2	PE040265 .....	1
076901-000 .....	2	PE050077 .....	2
079358-000 .....	2	PE050079 .....	1
A2003053 .....	2	PE050187 .....	1
A2005055 .....	2	PE070562 .....	2
A2005056 .....	2	PE070563 .....	2
A2005061 .....	2	PE070644 .....	2
A2005062 .....	2	PJ020002 .....	2
A2105068 .....	2	PJ020006 .....	2
G4003016 .....	2	PJ030016 .....	1
G50012147BK .....	1	PJ030019 .....	1
G50012147WH .....	1	PJ030049 .....	1
G50013540 .....	1		
PA010174 .....	1		
PA010175 .....	1		
PA010179 .....	1		
PB010262 .....	1		
PB010263 .....	1		
PB010263PVD .....	1		
PB020071 .....	2		
PB040070 .....	2		
PB070078 .....	1		
PB070232 .....	2		
PC010006 .....	2		
PD010027 .....	2		
PD010048 .....	2		
PD020002 .....	1, 2		
PD020004 .....	2		
PD020044 .....	1		
PD020076 .....	1		
PD030006 .....	1		
PD030029 .....	2		
PD030142 .....	1		
PD040056 .....	2		
PE010165 .....	1		
PE010166 .....	1		
PE010176 .....	1		