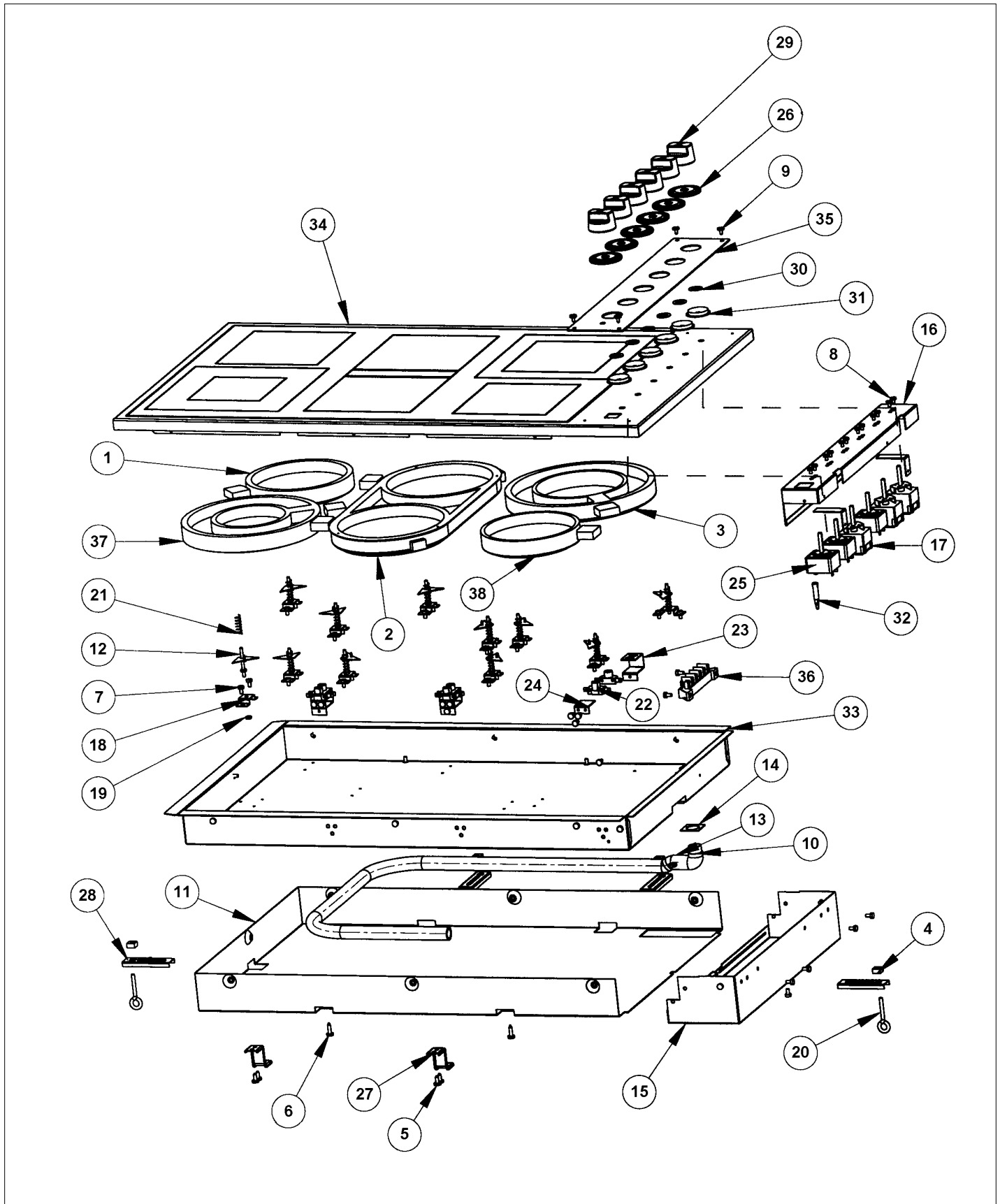


VECU165

UNIT COMPONENTS	1
Appendix A:Pages Index	A
Appendix B:Parts Index	B

UNIT COMPONENTS



Item	Part No.	Name	Qty	Uom	NOTES
1	076900-000	ASM, ELEMENT, RIBBON - 1500W	1	EA	
2	079358-000	Bridge element replacement kit	1	EACH	
3	076901-000	ASM, ELEMENT, RIBBON - 3000/1400W	1	EACH	
4	PD030029	SELF RETAINING NUT (1/4-20)	1	EA	
5	PD020002	10 X 1/2 PH.TR.HD.SMS.	1	EA	
6	PD020014	10X3/4 PH TR HD SMS	1	EA	
7	PD020004	10X3/8PH.HD.TYPE 25 REPL PD040125	1	EA	
8	PD020044	#8-32 X 1/4" PH. TR. HD. M.S.	1	EA	
9	PD020032	SRW-8(A)X3/8"PH.WFR HD 7/16DIA*NICL	1	EA	
10	PB040070	CONDUIT FITTING (90 DEG)	1	EA	
11	A2005060	VECU166 REAR COVER	1	EA	NO LONGER AVAILABLE, Not available online / Call for pricing and availability
12	PD010048	BURNER GUIDE ASSEMBLY DESU	1	EA	
13	PB020071	CONDUIT - FLEXIBLE (48")	1	EA	
14	A1005074	CONDUIT PLATE	1	EA	Not available online / Call for pricing and availability
15	A2005056	CONTROL PANEL BOX	1	EA	NO LONGER AVAILABLE, Not available online / Call for pricing and availability
16	A2005057	CONTROL PANEL BRACKET 36"	1	EA	NO LONGER AVAILABLE, Not available online / Call for pricing and availability
17	G50013540	DUAL INFINITE SWITCH	1	EA	
18	A2005055	BOTTOM ELEMENT BRACKET (VESU)	1	EA	NO LONGER AVAILABLE
19	PD040056	ELEMENT STUD NUT	1	EA	NO LONGER AVAILABLE
20	PD010027	EYE BOLT-VGSU101/161	1	EA	
21	PC010006	GUIDE SPRING DESU	1	EA	

Item	Part No.	Name	Qty	Uom	NOTES
22	PE050077	INDICATOR LIGHT	1	EA	
23	A2005061	LIGHT COVER	1	EA	NO LONGER AVAILABLE, Not available online / Call for pricing and availability
24	A2005062	LIGHT SUPPORT	1	EA	NO LONGER AVAILABLE, Not available online / Call for pricing and availability
25	PJ030016	INFINITE SWITCH (VESU)	1	EA	
26	PB010152	Bezel - SS	1	EA	
26	PB010153	Bezel - BR	1	EA	
27	A2105068	MOUNTING BRACKET	1	EA	
28	A2003053	Retainer Bracket	1	EA	
29	PB010148	SELECTOR KNOB-*BK* (30"DOUBLE OVEN	1	EA	
29	PB010149	SELECTOR KNOB-*WH* (30" B-IN OVEN)	1	EA	
30	PD030042	SELF RETAINING CLIP (KNOB)#03-30135	1	EA	
31	PB070078	SILICONE GASKET (DESU)	1	EA	
32	PE050078	VECU POWER LIGHT	1	EA	
33	A3005054	BURNER BOX 36" (VECU160)	1	EA	NO LONGER AVAILABLE, Not available online / Call for pricing and availability
34	G3005052BK	VECU165 TOP BK - NLA	1	EA	
34	G3005052WH	VECU160 TOP *WH*	1	EA	NO LONGER AVAILABLE
35	PE040096	CONTROL PANEL - VESU160 *BK*	1	EA	
36	054135-000	BLOCK, TERMINAL, 6-POLE (Heyco # 9454)	1	EA	
37	PJ020002	ELEMENT 2200 (750)	1	EA	
38	PJ020006	1200 ELEMENT	1	EA	



Appendix A:Pages Index

UNIT COMPONENTS 1



Appendix B:Parts Index

054135-000 1
076900-000 1
076901-000 1
079358-000 1
A1005074 1
A2003053 1
A2005055 1
A2005056 1
A2005057 1
A2005060 1
A2005061 1
A2005062 1
A2105068 1
A3005054 1
G3005052BK 1
G3005052WH 1
G50013540 1
PB010148 1
PB010149 1
PB010152 1
PB010153 1
PB020071 1
PB040070 1
PB070078 1
PC010006 1
PD010027 1
PD010048 1
PD020002 1
PD020004 1
PD020014 1
PD020032 1
PD020044 1
PD030029 1
PD030042 1
PD040056 1
PE040096 1
PE050077 1
PE050078 1
PJ020002 1
PJ020006 1

PJ030016 1