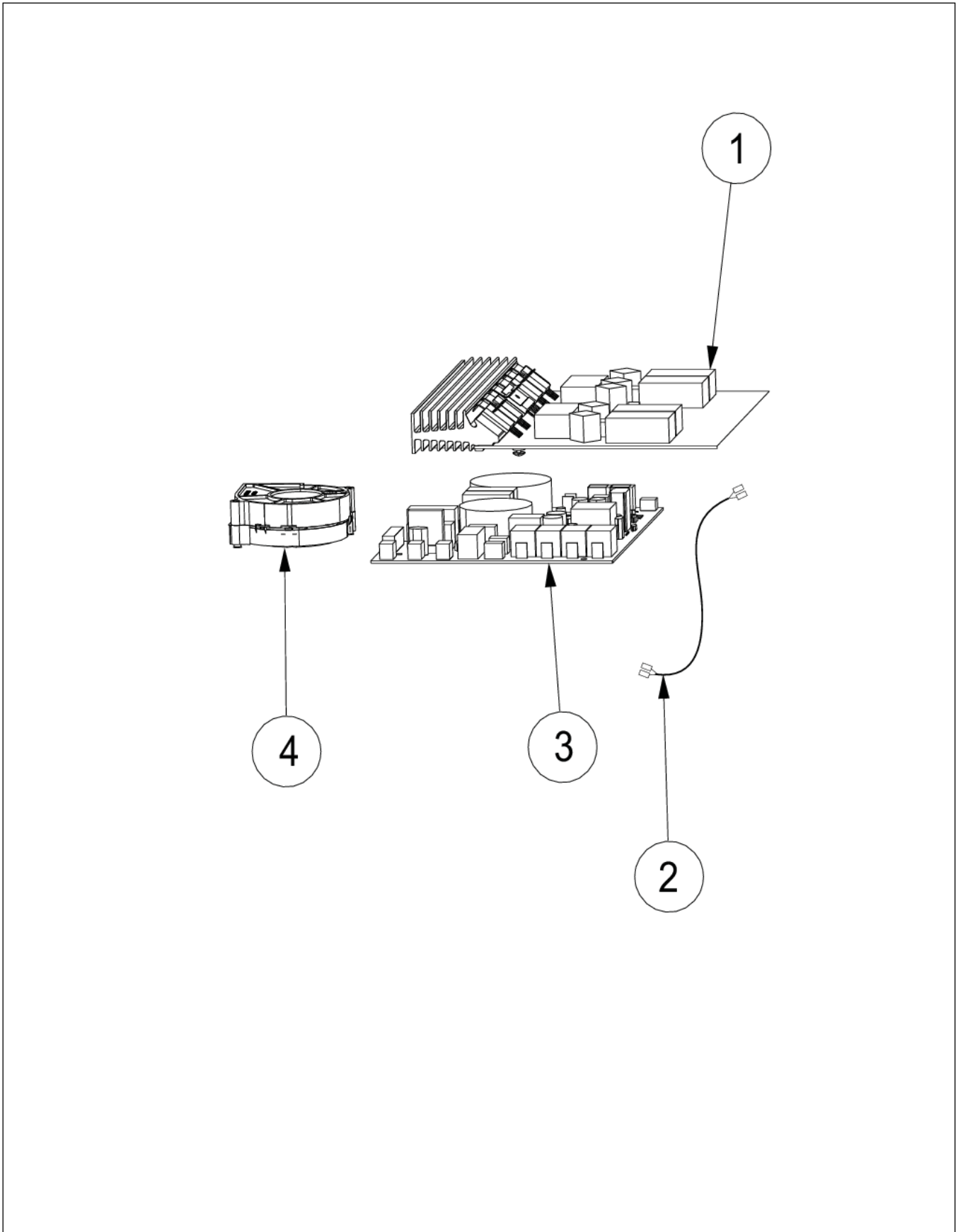


**VCCU106**

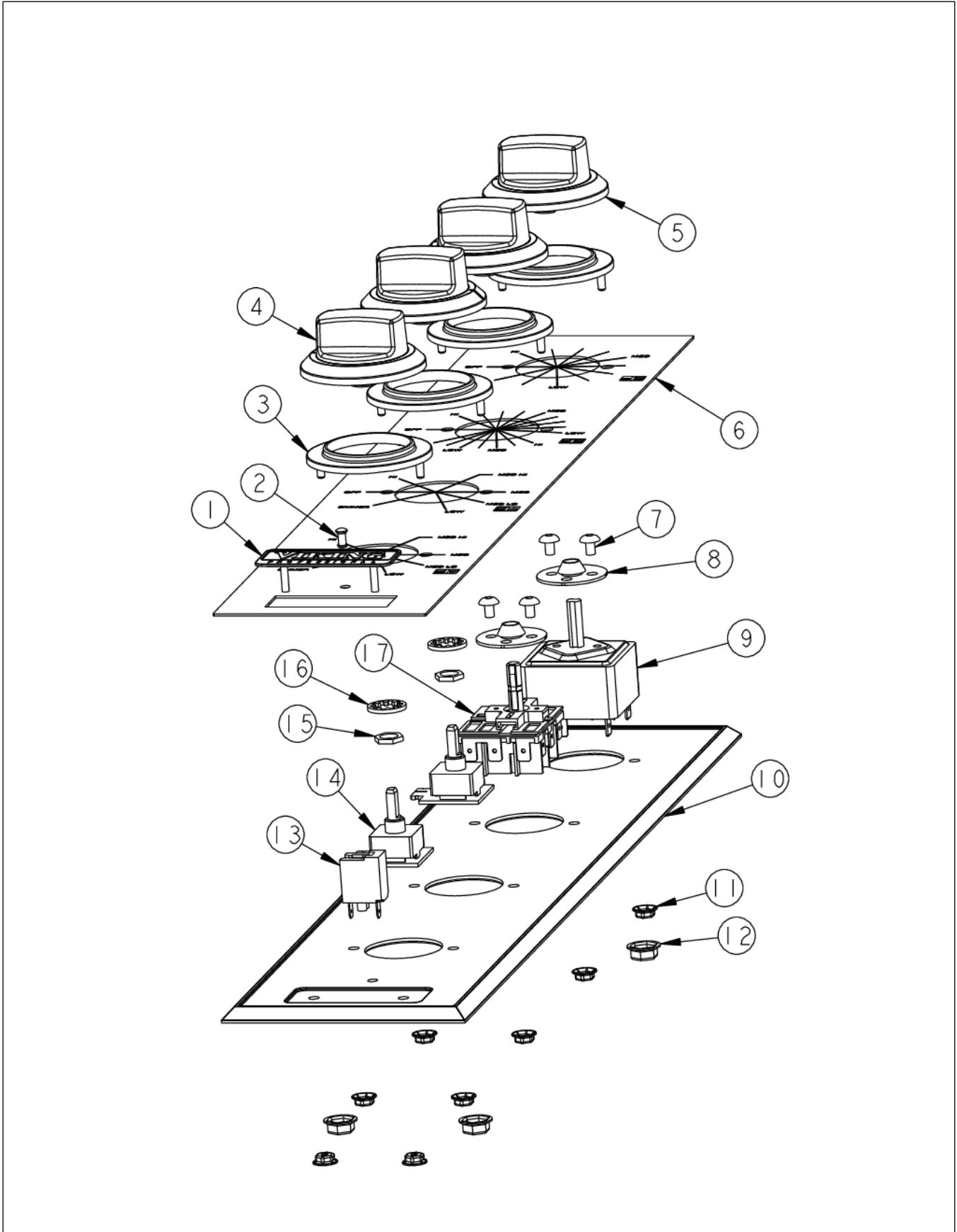
BOARD COMPONENTS .....	1
CONTROL AREA .....	2
INDUCTION AREA .....	3
RADIANT AREA .....	4
UNIT EXTERIOR .....	5
WIRING .....	6
WIRING DIAGRAM .....	7
Appendix A:Pages Index .....	A
Appendix B:Parts Index .....	B

BOARD COMPONENTS



Item	Part No.	Name	Qty	Uom	NOTES
1	0015132-000	POWER BOARD KIT - 3.2KW	1	EA	
2	015129-000	CABLE KIT	1	EA	
3	015131-000	FILTER BOARD KIT - 3.2KW	1	EA	
4	015127-000	FAN KIT	1	EA	

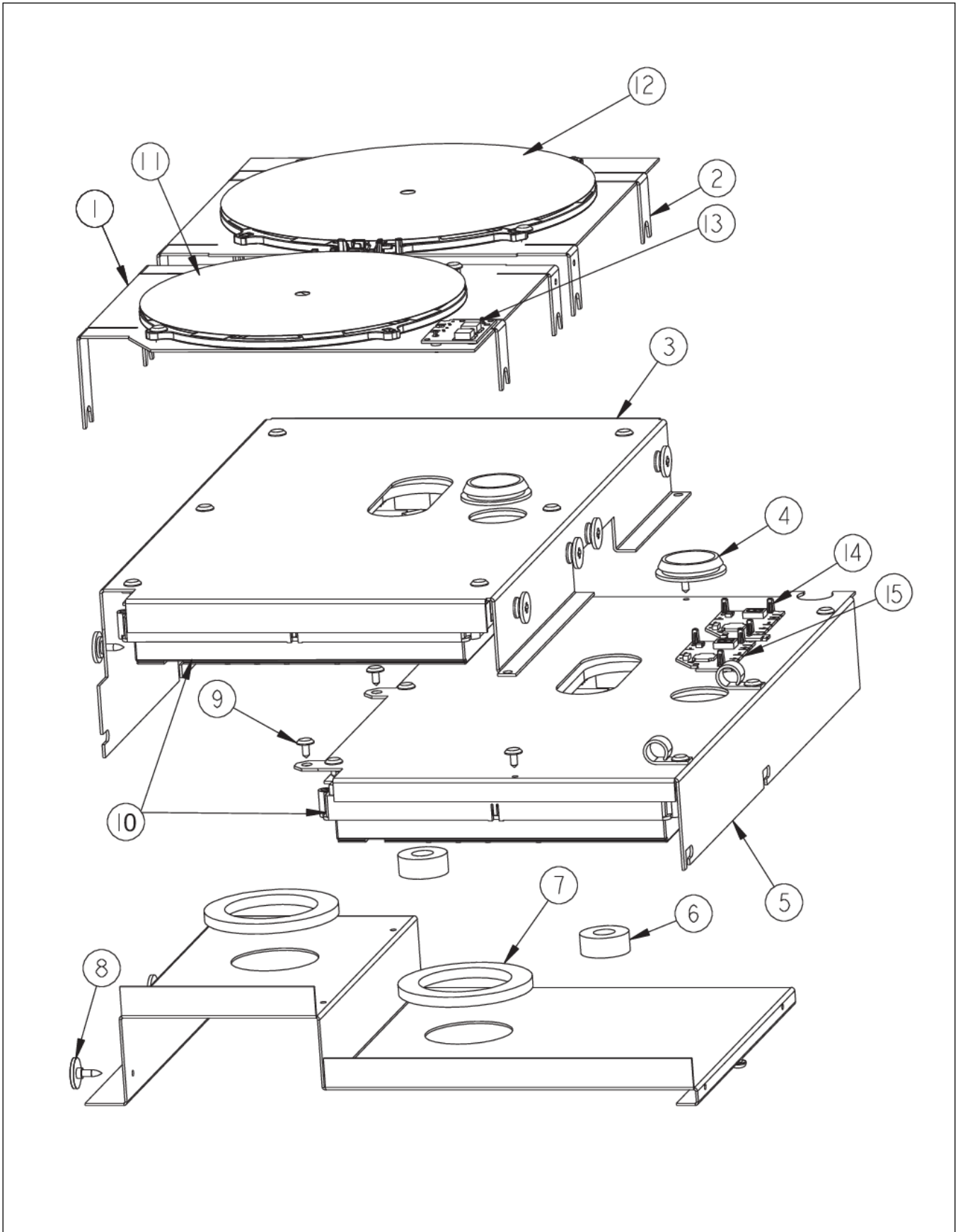
CONTROL AREA



Item	Part No.	Name	Qty	Uom	NOTES
1	PE010191	2 1/2" VIKING LOGO BLACK/CHROME	1	EA	
	PE010166	VIKING LOGO BRASS	1	EA	NO LONGER AVAILABLE
	PE010176	2.5" WHITE CHROME LOGO	1	EA	Not available online / Call for pricing and availability
	PE010177	2.5" WHITE BRASS LOGO	1	EA	
2	PE050187	POWER LIGHT LENS	1	EA	
3	PB010262	LOWER BEZEL	1	EA	
4	G50012165BK	INDUCTION KNOB BEZEL ASSY *BK*	1	EA	NO LONGER AVAILABLE
	G50012165BKBBR	INDUCTION KNOB ASSEMBLY - BK / BR	1	EA	Not available online / Call for pricing and availability
	G50012165WH	INDUCTION KNOB BEZEL ASSY *WH*	1	EA	NO LONGER AVAILABLE, Not available online / Call for pricing and availability
	G50012165WHBBR	INDUCTION KNOB ASSEMBLY - WH / BR	1	EA	Not available online / Call for pricing and availability
5	G50012164BK	INFINITE KNOB BEZEL ASSY *BK*	1	EA	
	G50012164BKBBR	RADIANT KNOB ASSEMBLY - BK / BR	1	EA	Not available online / Call for pricing and availability
	G50012164WH	INFINITE KNOB BEZEL ASSY *WH*	1	EA	NO LONGER AVAILABLE, Not available online / Call for pricing and availability
	G50012164WHBBR	RADIANT KNOB ASSEMBLY - WH / BR	1	EA	Not available online / Call for pricing and availability
6	PE040340	VCCU PANEL GRAPHICS INLAY 30" BK	1	EA	NO LONGER AVAILABLE
	PE040343	VCCU PANEL GRAPHICS INLAY 30" WH	1	EA	NO LONGER AVAILABLE, Not available online / Call for pricing and availability

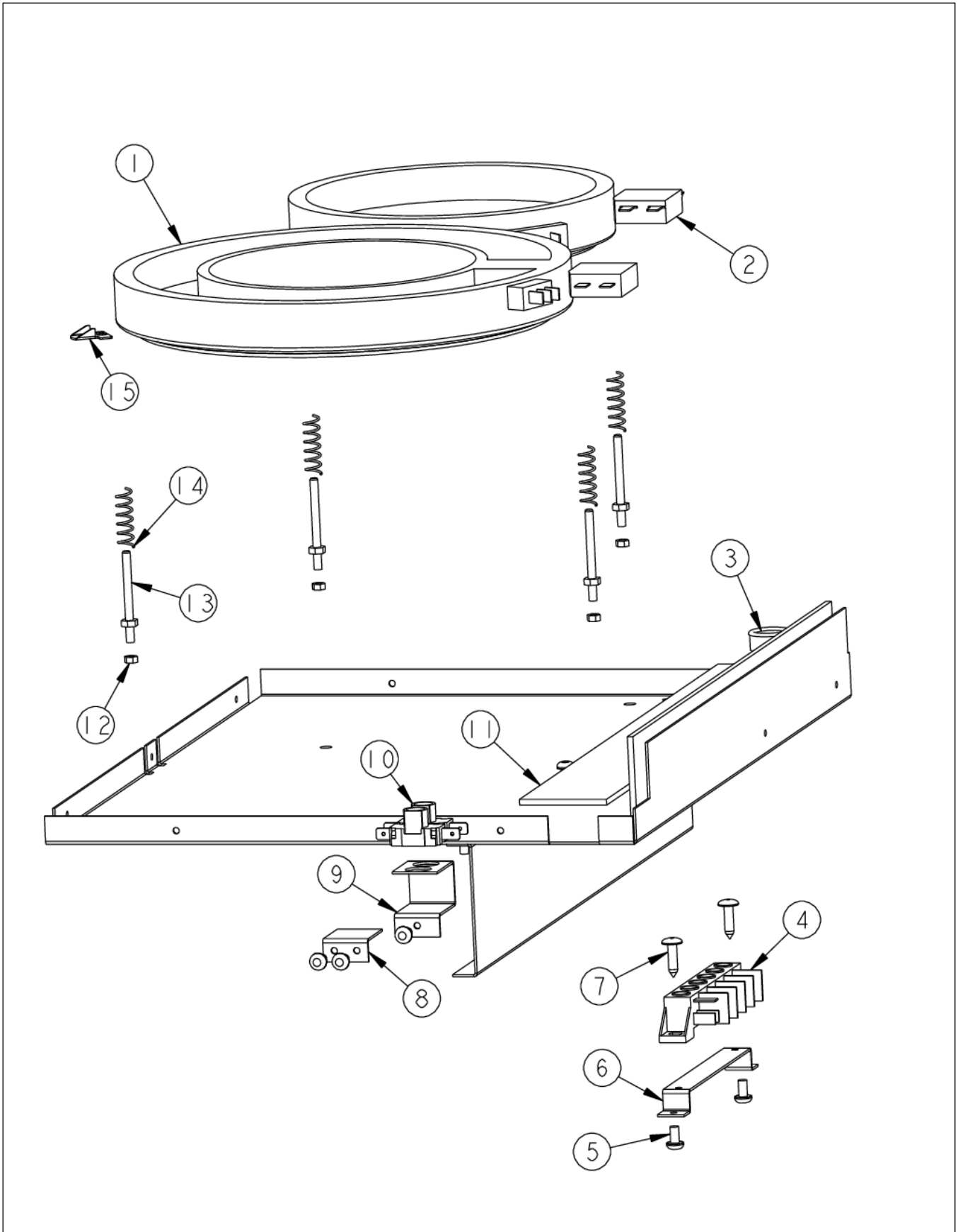
Item	Part No.	Name	Qty	Uom	NOTES
7	PD020044	#8-32 X 1/4" PH. TR. HD. M.S.	1	EA	
8	PB070078	SILICONE GASKET (DESU)	1	EA	
9	PJ030019	INFINITE SWITCH	1	EA	
10	PE040253	VECU 30" CONTROL PANEL	1	EA	Not available online / Call for pricing and availability
11	PD030006	CAPPED WASHER PAL NUT	1	EA	
12	PD030137	CAPPED WASHER PAL NUT	1	EA	Not available online / Call for pricing and availability
13	PE050079	LENS OPENING	1	EA	
14	003225-000	ROTARY INDUCTION CONTROL	1	EA	
15	PD030114	INDUCTION CONTROL NUT	1	EA	
16	PD040117	10 MM WASHER	1	EA	
17	074017-000	Dual infinite switch kit	1	EACH	

INDUCTION AREA



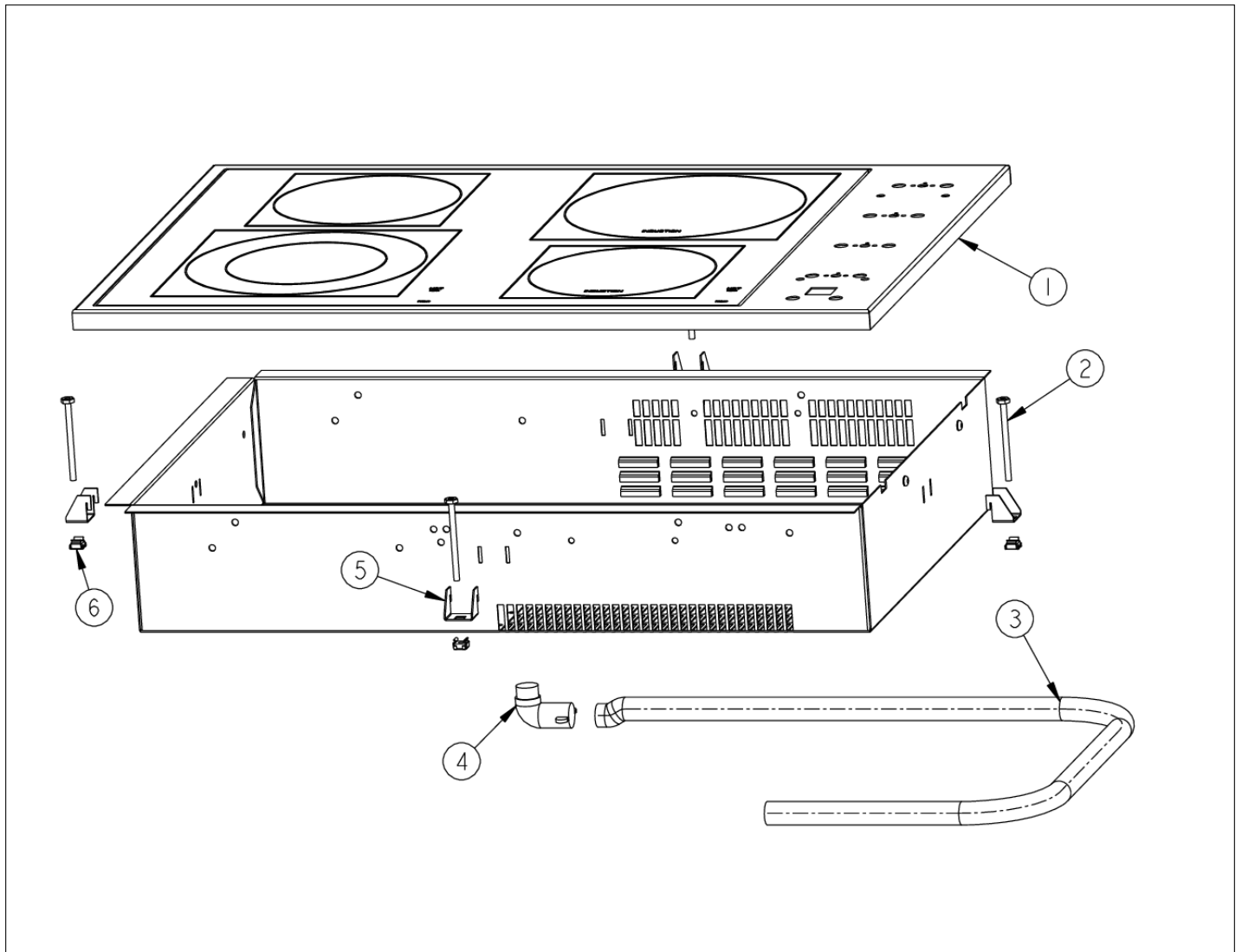
Item	Part No.	Name	Qty	Uom	NOTES
1	003149-000	180MM COIL ASSY	1	EA	
2	003153-000	210MM COIL ASSY	1	EA	
3	003158-000	UPPER GENERATOR ASSY	1	EA	
4	PB070320	SILICONE EXTRUSION	1	EA	
5	003157-000	LOWER GENERATOR ASSY	1	EA	NO LONGER AVAILABLE
6	003592-000	CASED CORE	1	EA	
7	003820-000	INDUCTION FAN SEAL - NLA	1	EA	
8	014143-000	SCR 10-12 A SHLD TRP 1/2 S ZN BLUE	1	EA	
9	PD020032	SRW-8(A)X3/8"PH.WFR HD 7/16DIA*NICL	1	EA	
10	003133-000	COOKTOP, GEN	2	EA	
	NOTE	(SEE BOARD COMPONENTS PAGE FOR INDIVIDUAL PARTS)		EA	
11	003134-000	COIL, IND, 180MM	1	EA	
12	003135-000	COIL, IND, 210MM	1	EA	
13	003136-000	INDICATOR, IND, RED	1	EA	
14	003154-042	INDUCTION ADAPTOR COIL, 210MM - NLA	1	EA	Not available online / Call for pricing and availability
15	003154-041	INDUCTION ADAPTOR COIL, 180MM	1	EA	NO LONGER AVAILABLE

RADIANT AREA



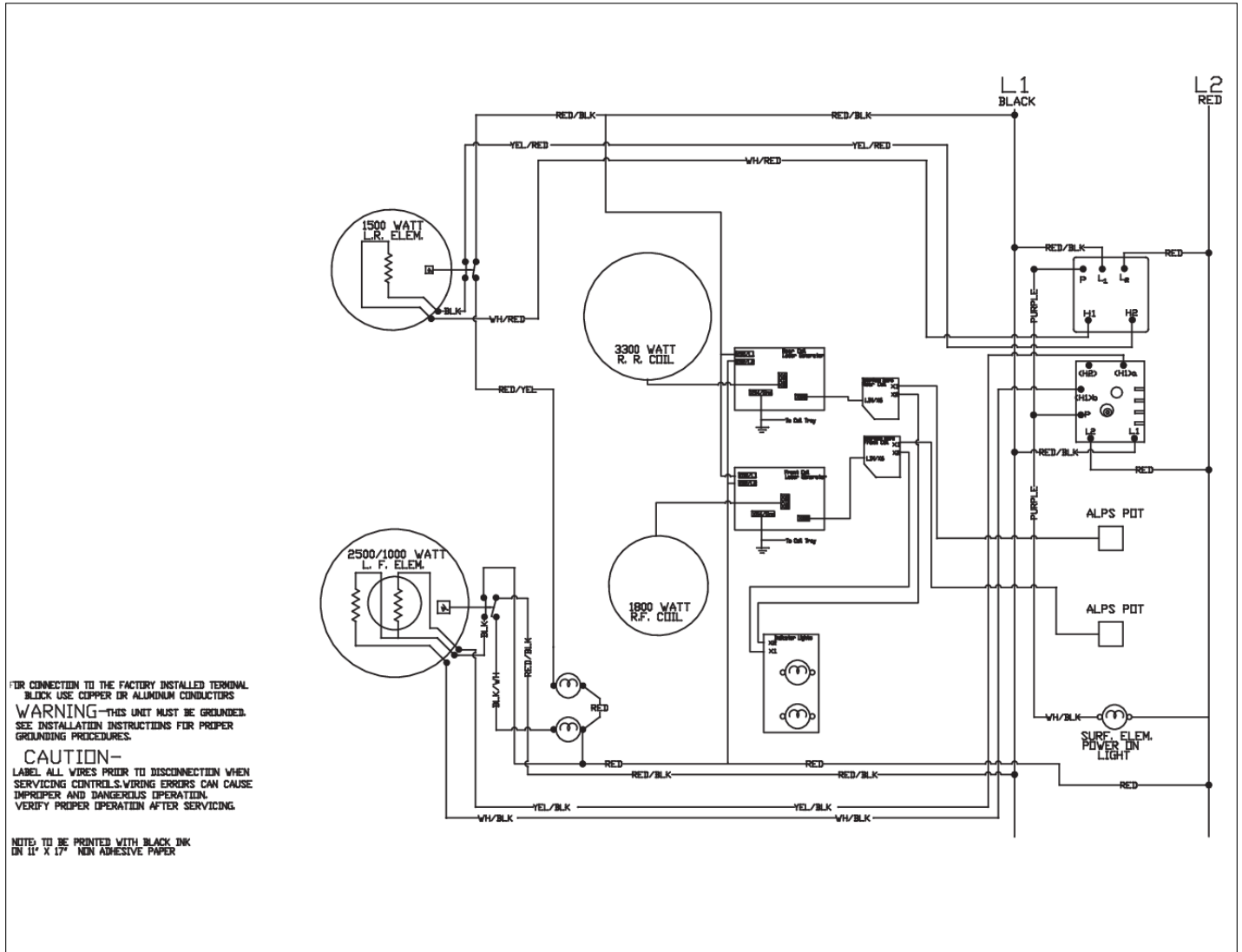
Item	Part No.	Name	Qty	Uom	NOTES
1	076901-000	ASM, ELEMENT, RIBBON - 3000/1400W	1	EACH	
2	076900-000	ASM, ELEMENT, RIBBON - 1500W	1	EA	
3	PD040005	SNAP BUSHING - 7/8"	1	EA	
4	054135-000	BLOCK, TERMINAL, 6-POLE (Heyco # 9454)	1	EA	
5	PD020004	10X3/8PH.HD.TYPE 25 REPL PD040125	1	EA	
6	A2005084	INDUCTION TERMINAL BOARD BRACKET	1	EA	NO LONGER AVAILABLE, Not available online / Call for pricing and availability
7	PD020014	10X3/4 PH TR HD SMS	1	EA	
8	A2005062	LIGHT SUPPORT	1	EA	NO LONGER AVAILABLE, Not available online / Call for pricing and availability
9	A2005061	LIGHT COVER	1	EA	NO LONGER AVAILABLE, Not available online / Call for pricing and availability
10	PE050077	INDICATOR LIGHT	1	EA	
11	PB070197	INDUCTION INSULATION BOARD	1	EA	NO LONGER AVAILABLE, Not available online / Call for pricing and availability
12	PD030012	6-32 HEX NUT	1	EA	
13	PD010148	ELEMENT STUD	1	EA	
14	PC010006	GUIDE SPRING DESU	1	EA	
15	PM010494	CERAMASPEED BRACKET	1	EA	

UNIT EXTERIOR



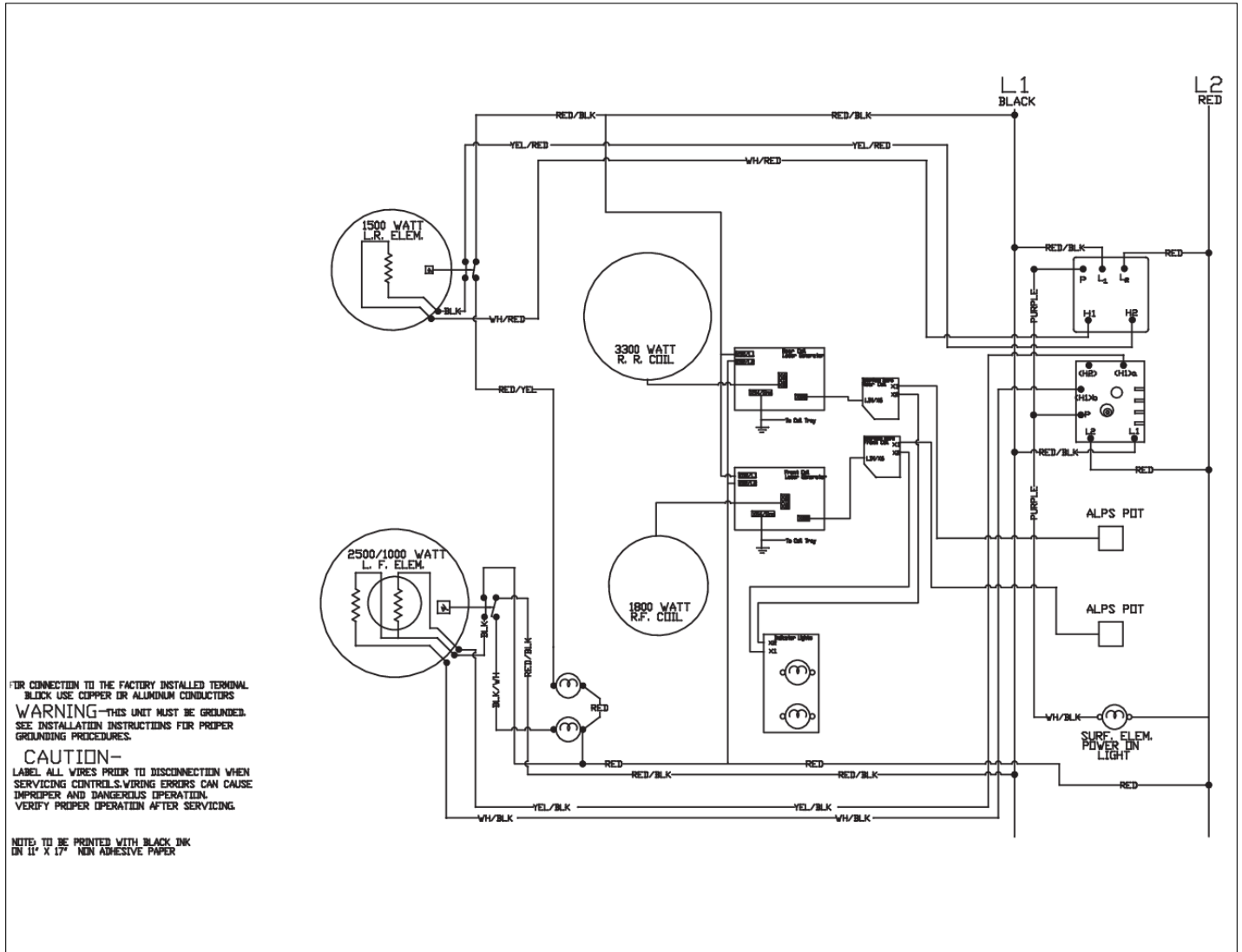
Item	Part No.	Name	Qty	Uom	NOTES
1	G50012148	30" VCCU TOP ASSY (BLACK)	1	EA	
	G50012935	30" VCCU TOP ASSY (WHITE)	1	EA	NO LONGER AVAILABLE
2	PD020123	BOLT 1/4-20 X 3 HEX HD	1	EA	
3	PB020071	CONDUIT - FLEXIBLE (48")	1	EA	
4	PB040070	CONDUIT FITTING (90 DEG)	1	EA	
5	A2005721	MOUNT BRACKET (DECU)	1	EA	
6	PD030029	SELF RETAINING NUT (1/4-20)	1	EA	

WIRING



Item	Part No.	Name	Qty	Uom	NOTES
NI	PE070562	RED WIRE (8 GA. SF-2 200 DEG.C 600V)	1	EA	NO LONGER AVAILABLE, Not available online / Call for pricing and availability
NI	PE070563	*BK* WIRE (8 GA.SF-2 200DEG.C600V)	1	EA	NO LONGER AVAILABLE, Not available online / Call for pricing and availability
NI	G4003016	GREEN - SUPPLY WIRE	1	EA	NO LONGER AVAILABLE, Not available online / Call for pricing and availability

WIRING DIAGRAM





Appendix A:Pages Index

BOARD COMPONENTS ..... 1  
CONTROL AREA ..... 2  
INDUCTION AREA ..... 3  
RADIANT AREA ..... 4  
UNIT EXTERIOR ..... 5  
WIRING ..... 6  
WIRING DIAGRAM ..... 7



Appendix B:Parts Index

0015132-000	1	PB070078	2
003133-000	3	PB070197	4
003134-000	3	PB070320	3
003135-000	3	PC010006	4
003136-000	3	PD010148	4
003149-000	3	PD020004	4
003153-000	3	PD020014	4
003154-041	3	PD020032	3
003154-042	3	PD020044	2
003157-000	3	PD020123	5
003158-000	3	PD030006	2
003225-000	2	PD030012	4
003592-000	3	PD030029	5
003820-000	3	PD030114	2
014143-000	3	PD030137	2
015127-000	1	PD040005	4
015129-000	1	PD040117	2
015131-000	1	PE010166	2
054135-000	4	PE010176	2
074017-000	2	PE010177	2
076900-000	4	PE010191	2
076901-000	4	PE040253	2
A2005061	4	PE040340	2
A2005062	4	PE040343	2
A2005084	4	PE050077	4
A2005721	5	PE050079	2
G4003016	6	PE050187	2
G50012148	5	PE070562	6
G50012164BK	2	PE070563	6
G50012164BKBBR	2	PJ030019	2
G50012164WH	2	PM010494	4
G50012164WHBBR	2		
G50012165BK	2		
G50012165BKBBR	2		
G50012165WH	2		
G50012165WHBBR	2		
G50012935	5		
PB010262	2		
PB020071	5		
PB040070	5		