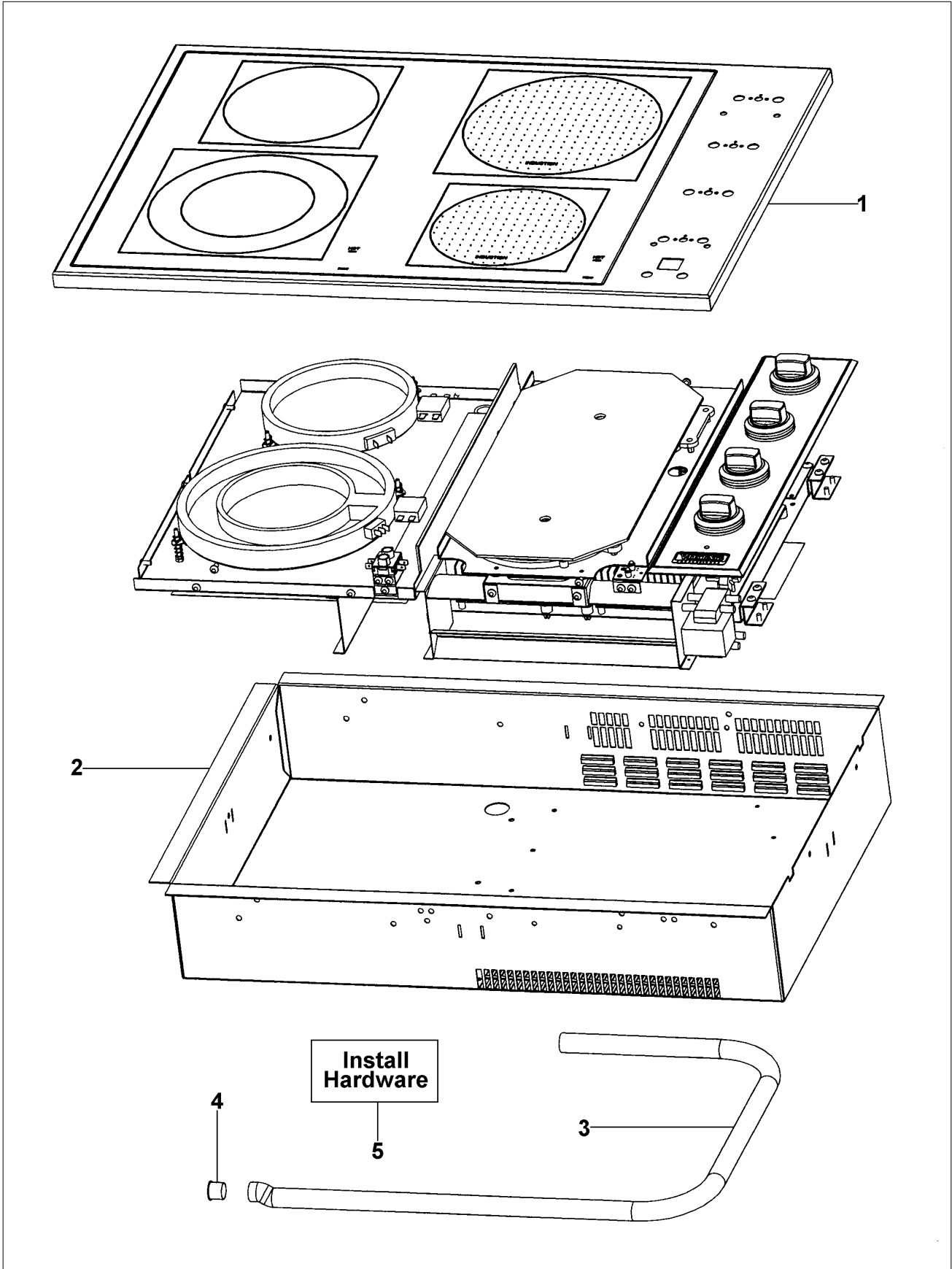


VCCU105

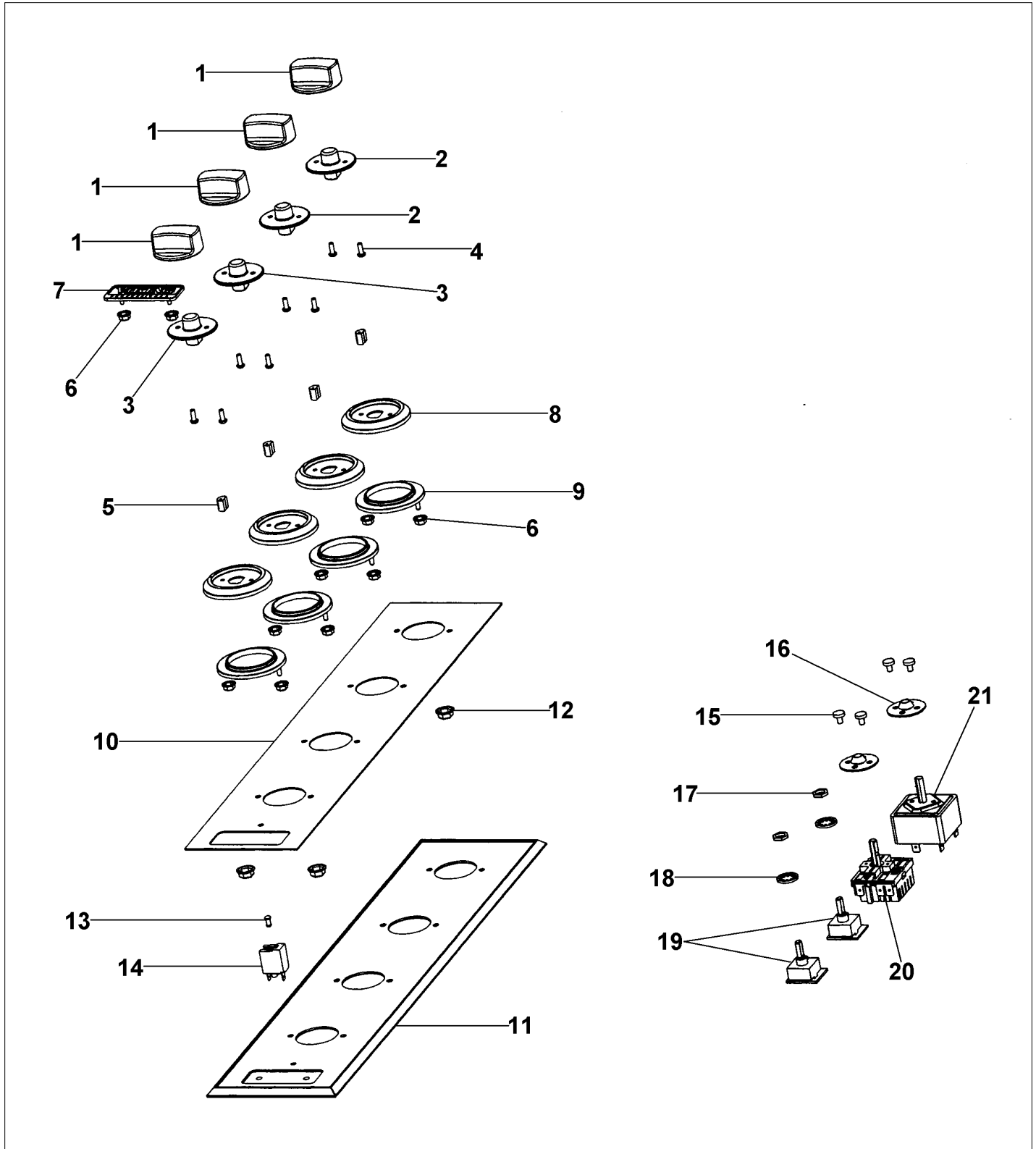
BURNER BOX ASSEMBLY	1
CONTROL ASSEMBLY	2
INDUCTION AREA ASSEMBLY	3
RADIANT AREA ASSEMBLY	4
WIRING	5
Appendix A:Pages Index	A
Appendix B:Parts Index	B

BURNER BOX ASSEMBLY



Item	Part No.	Name	Qty	Uom	NOTES
1	G50012148	30" VCCU TOP ASSY (BLACK)	1	EA	
	G50012935	30" VCCU TOP ASSY (WHITE)	1	EA	NO LONGER AVAILABLE
2	A3005085	INDUCTION BURNER BOX (VCCU105)	1	EA	NO LONGER AVAILABLE, Not available online / Call for pricing and availability
3	PB020071	CONDUIT - FLEXIBLE (48")	1	EA	
4	PD040034	CONDUIT GROMMET (1/2")	1	EA	
5	G50010684	30 MOUNTING HARDWARE	1	EA	
NI	G4003016	GREEN - SUPPLY WIRE	1	EA	NO LONGER AVAILABLE, Not available online / Call for pricing and availability
NI	G4003006	RED - SUPPLY WIRE	1	EA	NO LONGER AVAILABLE, Not available online / Call for pricing and availability
NI	G4003009	*BK*- SUPPLY WIRE	1	EA	NO LONGER AVAILABLE, Not available online / Call for pricing and availability

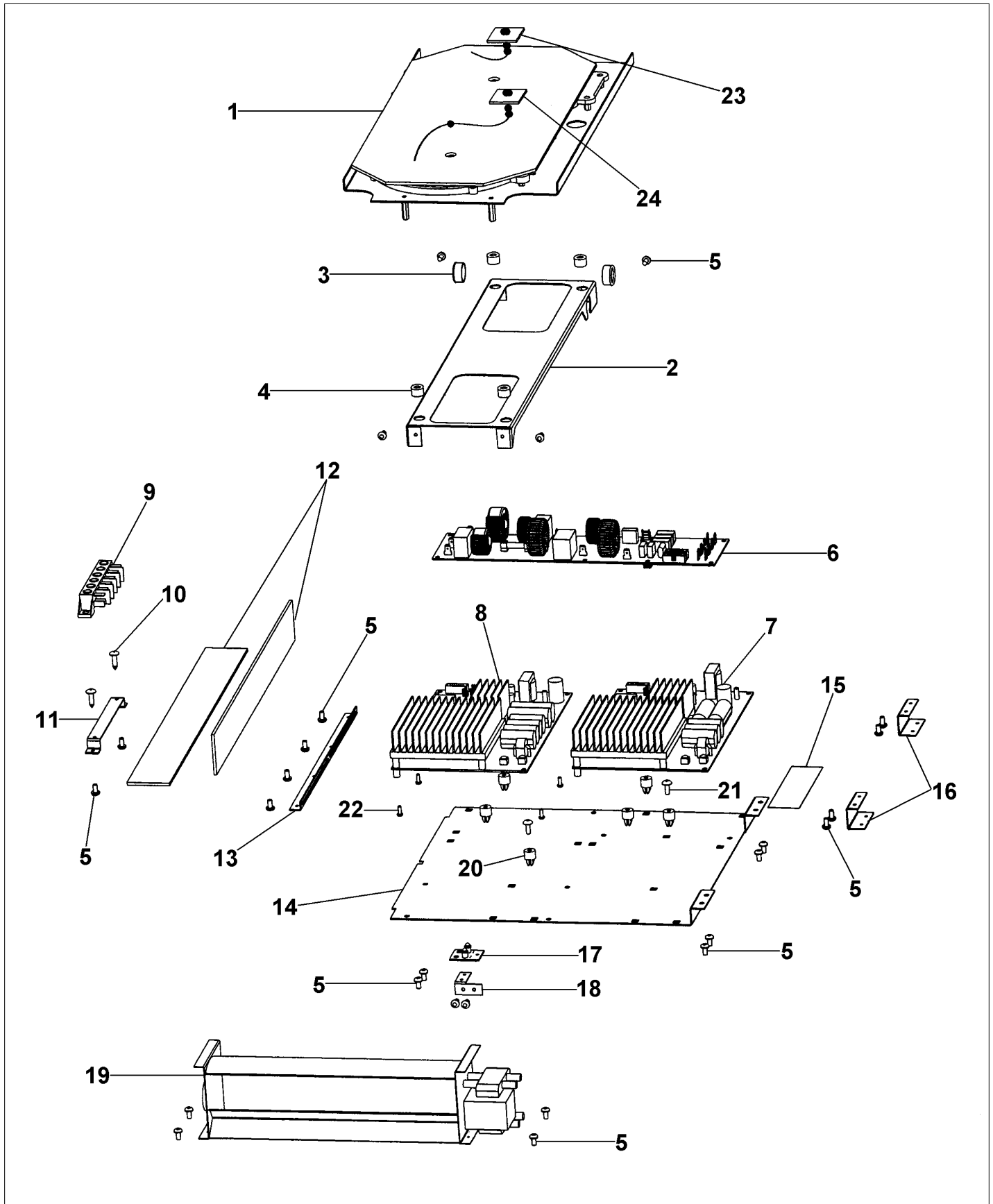
CONTROL ASSEMBLY



Item	Part No.	Name	Qty	Uom	NOTES
1	PA010174	COOKTOP KNOB BLACK	1	EA	
	PA010175	COOKTOP KNOB (WHITE)	1	EA	NO LONGER AVAILABLE
2	PA010179	VESC KNOB MOUNT CORE	1	EA	NO LONGER AVAILABLE
3	PA010180	VCCU KNOB MOUNT CORE	1	EA	
4	PD020076	6-32 X 3/8" PHILL PAN MS	1	EA	
5	PC010007	KNOB SPRING (GOLD CORE KNOBS)	1	EA	
6	PD030006	CAPPED WASHER PAL NUT	1	EA	
7	PE010165	VIKING CHROME PLATE LOGO	1	EA	
	PE010166	VIKING LOGO BRASS	1	EA	NO LONGER AVAILABLE
	PE010176	2.5" WHITE CHROME LOGO	1	EA	Not available online / Call for pricing and availability
	PE010177	2.5" WHITE BRASS LOGO	1	EA	
8	PB010263	UPPER BEZEL	1	EA	
	PB010263PVD	UPPER BEZEL BRASS (BLACK)	1	EA	
9	PB010262	LOWER BEZEL	1	EA	
10	PE040255	30" VCCU INLAY	1	EA	
	PE040269	VCCU 30" CONTROL PANEL INLAY WHITE GRAPHICS	1	EA	NO LONGER AVAILABLE
11	PE040253	VECU 30" CONTROL PANEL	1	EA	Not available online / Call for pricing and availability
	PE040253PVD	VECU 30" CONTROL PANEL *PVD*	1	EA	NO LONGER AVAILABLE
12	PD030137	CAPPED WASHER PAL NUT	1	EA	Not available online / Call for pricing and availability
13	PE050187	POWER LIGHT LENS	1	EA	
14	PE050079	LENS OPENING	1	EA	
15	PD020044	#8-32 X 1/4" PH. TR. HD. M.S.	1	EA	
16	PB070078	SILICONE GASKET (DESU)	1	EA	
17	PD030114	INDUCTION CONTROL NUT	1	EA	
18	PD040117	10 MM WASHER	1	EA	

Item	Part No.	Name	Qty	Uom	NOTES
19	PE070364	POT ASSY - GRAY 28.5" (12-4200)	1	EA	
	NOTE	(INC. HARNESS)		EA	
20	074017-000	Dual infinite switch kit	1	EACH	
21	PJ030019	INFINITE SWITCH	1	EA	

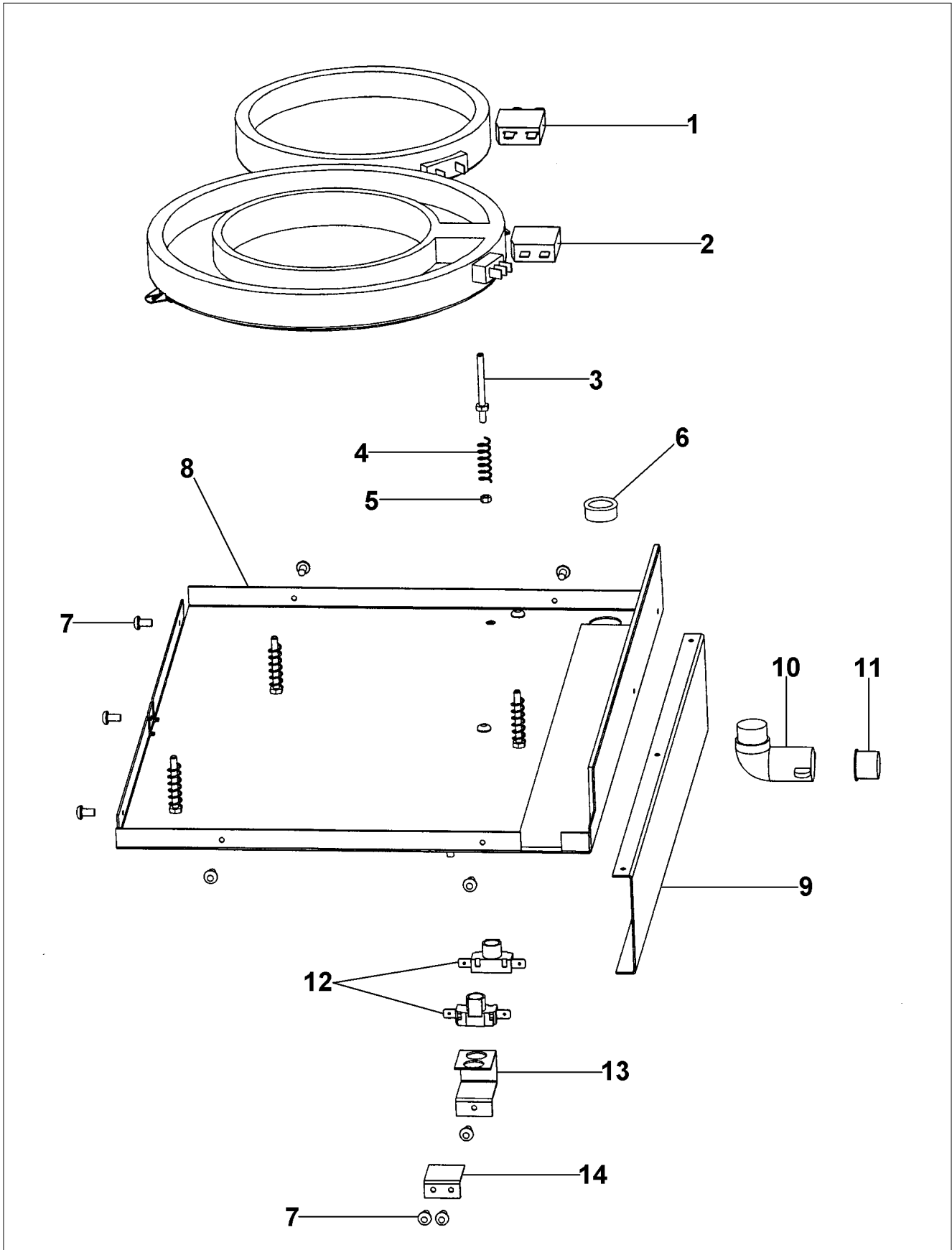
INDUCTION AREA ASSEMBLY



Item	Part No.	Name	Qty	Uom	NOTES
1	PE070769	COIL TRAY ASSEMBLY (71-0102)	1	EA	
NI	PE070632	INDUCTION FULL COIL	1	EA	Not available online / Call for pricing and availability
NI	PE070363	INDUCTION 1/2 COILá	1	EA	
NI	PB070192	INDUCTION COIL INSULATION	1	EA	
2	A20014410	BURNER SUPPORT	1	EA	NO LONGER AVAILABLE, Not available online / Call for pricing and availability
3	PD040005	SNAP BUSHING - 7/8"	1	EA	
4	PD040021	1/2" BUSHING (VGRC)	1	EA	
5	PD020004	10X3/8PH.HD.TYPE 25 REPL PD040125	1	EA	
6	PE070302	MIXED FUEL EMI BOARD	1	EA	
7	PE070301	INDUCTION FULL POWER BOARD	1	EA	
8	PE070485	INDUCTION HALF POWER BOARD	1	EA	
9	054135-000	BLOCK, TERMINAL, 6-POLE (Heyco # 9454)	1	EA	
10	PD020014	10X3/4 PH TR HD SMS	1	EA	
11	A2005084	INDUCTION TERMINAL BOARD BRACKET	1	EA	NO LONGER AVAILABLE, Not available online / Call for pricing and availability
12	PB070197	INDUCTION INSULATION BOARD	1	EA	NO LONGER AVAILABLE, Not available online / Call for pricing and availability
13	A20010651	INDUCTION BOARD BRACE	1	EA	NO LONGER AVAILABLE, Not available online / Call for pricing and availability
14	A20010649	INDUCTION BOARD PLATE	1	EA	NO LONGER AVAILABLE
15	PE020047	RATING LABEL	1	EA	

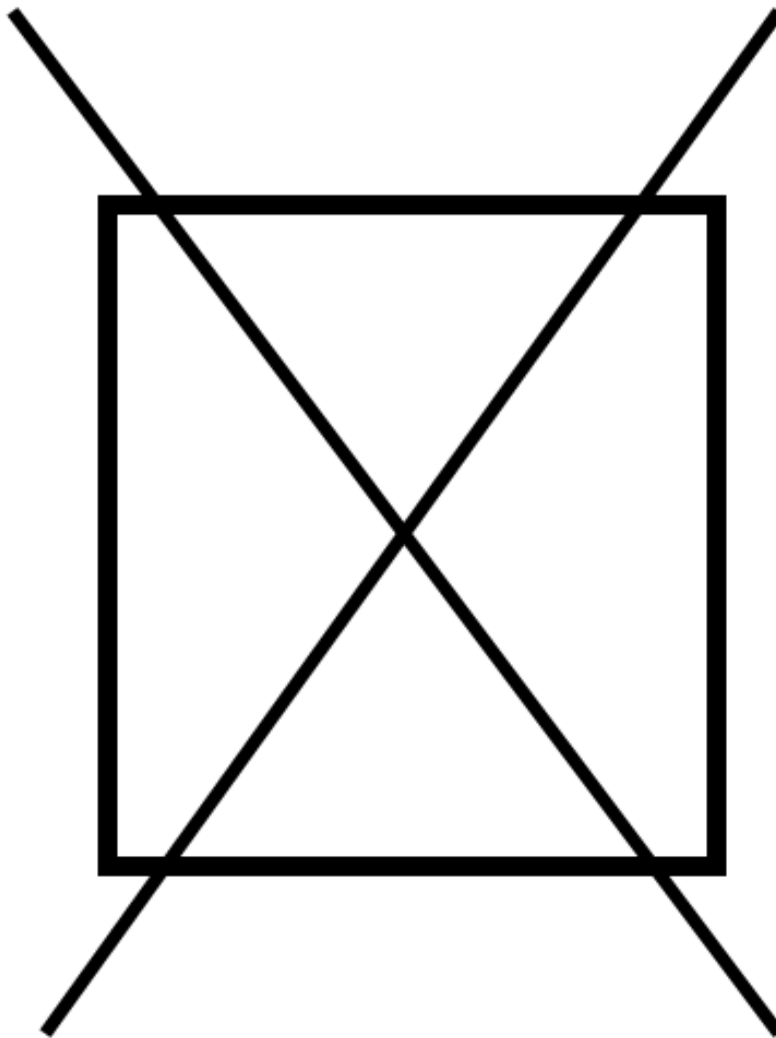
Item	Part No.	Name	Qty	Uom	NOTES
16	A20010650	INDUCTION BOARD MOUNT	1	EA	NO LONGER AVAILABLE, Not available online / Call for pricing and availability
17	PE070519	INDUCTION LED ASSEMBLY	1	EA	
	NOTE	(INC. HARNESS)		EA	
18	A20010645	INDUCTION LED BRACKET	1	EA	NO LONGER AVAILABLE
19	PE070365	COOLING FAN	1	EA	NO LONGER AVAILABLE
20	PD030033	GROMMET NUT-ROUND HD. #8 X .500DIA.	1	EA	
21	PD010003	10-24 X 1/2 PH.TR.HD.SERD.M.S.	1	EA	
22	PD020076	6-32 X 3/8" PHILL PAN MS	1	EA	
23	PE070761	INDUCTION THERMAL LIMITER	1	EA	
24	PE070761	INDUCTION THERMAL LIMITER	1	EA	

RADIANT AREA ASSEMBLY



Item	Part No.	Name	Qty	Uom	NOTES
1	076900-000	ASM, ELEMENT, RIBBON - 1500W	1	EA	
2	076901-000	ASM, ELEMENT, RIBBON - 3000/1400W	1	EACH	
3	PD010048	BURNER GUIDE ASSEMBLY DESU	1	EA	
4	PC010006	GUIDE SPRING DESU	1	EA	
5	PD030012	6-32 HEX NUT	1	EA	
6	PD040005	SNAP BUSHING - 7/8"	1	EA	
7	PD020004	10X3/8PH.HD.TYPE 25 REPL PD040125	1	EA	
8	A2005087	INDUCTION RADIANT BOX	1	EA	NO LONGER AVAILABLE, Not available online / Call for pricing and availability
9	A20012677	INDUCTION HEAT SHIELD	1	EA	NO LONGER AVAILABLE, Not available online / Call for pricing and availability
10	PB040070	CONDUIT FITTING (90 DEG)	1	EA	
11	PD040034	CONDUIT GROMMET (1/2")	1	EA	
12	PE050077	INDICATOR LIGHT	1	EA	
13	A2005061	LIGHT COVER	1	EA	NO LONGER AVAILABLE, Not available online / Call for pricing and availability
14	A2005062	LIGHT SUPPORT	1	EA	NO LONGER AVAILABLE, Not available online / Call for pricing and availability

NON
ILLUSTRATED PART



Item	Part No.	Name	Qty	Uom	NOTES
NI	G4003016	GREEN - SUPPLY WIRE	1	EA	NO LONGER AVAILABLE, Not available online / Call for pricing and availability
NI	G4003006	RED - SUPPLY WIRE	1	EA	NO LONGER AVAILABLE, Not available online / Call for pricing and availability
NI	G4003009	*BK*- SUPPLY WIRE	1	EA	NO LONGER AVAILABLE, Not available online / Call for pricing and availability



Appendix A:Pages Index

BURNER BOX ASSEMBLY 1
CONTROL ASSEMBLY 2
INDUCTION AREA ASSEMBLY 3
RADIANT AREA ASSEMBLY4
WIRING 5

Appendix B:Parts Index

054135-000	3	PD020076	2, 3
074017-000	2	PD030006	2
076900-000	4	PD030012	4
076901-000	4	PD030033	3
A20010645	3	PD030114	2
A20010649	3	PD030137	2
A20010650	3	PD040005	3, 4
A20010651	3	PD040021	3
A20012677	4	PD040034	1, 4
A20014410	3	PD040117	2
A2005061	4	PE010165	2
A2005062	4	PE010166	2
A2005084	3	PE010176	2
A2005087	4	PE010177	2
A3005085	1	PE020047	3
G4003006	1, 5	PE040253	2
G4003009	1, 5	PE040253PVD	2
G4003016	1, 5	PE040255	2
G50010684	1	PE040269	2
G50012148	1	PE050077	4
G50012935	1	PE050079	2
PA010174	2	PE050187	2
PA010175	2	PE070301	3
PA010179	2	PE070302	3
PA010180	2	PE070363	3
PB010262	2	PE070364	2
PB010263	2	PE070365	3
PB010263PVD	2	PE070485	3
PB020071	1	PE070519	3
PB040070	4	PE070632	3
PB070078	2	PE070761	3, 3
PB070192	3	PE070769	3
PB070197	3	PJ030019	2
PC010006	4		
PC010007	2		
PD010003	3		
PD010048	4		
PD020004	3, 4		
PD020014	3		
PD020044	2		