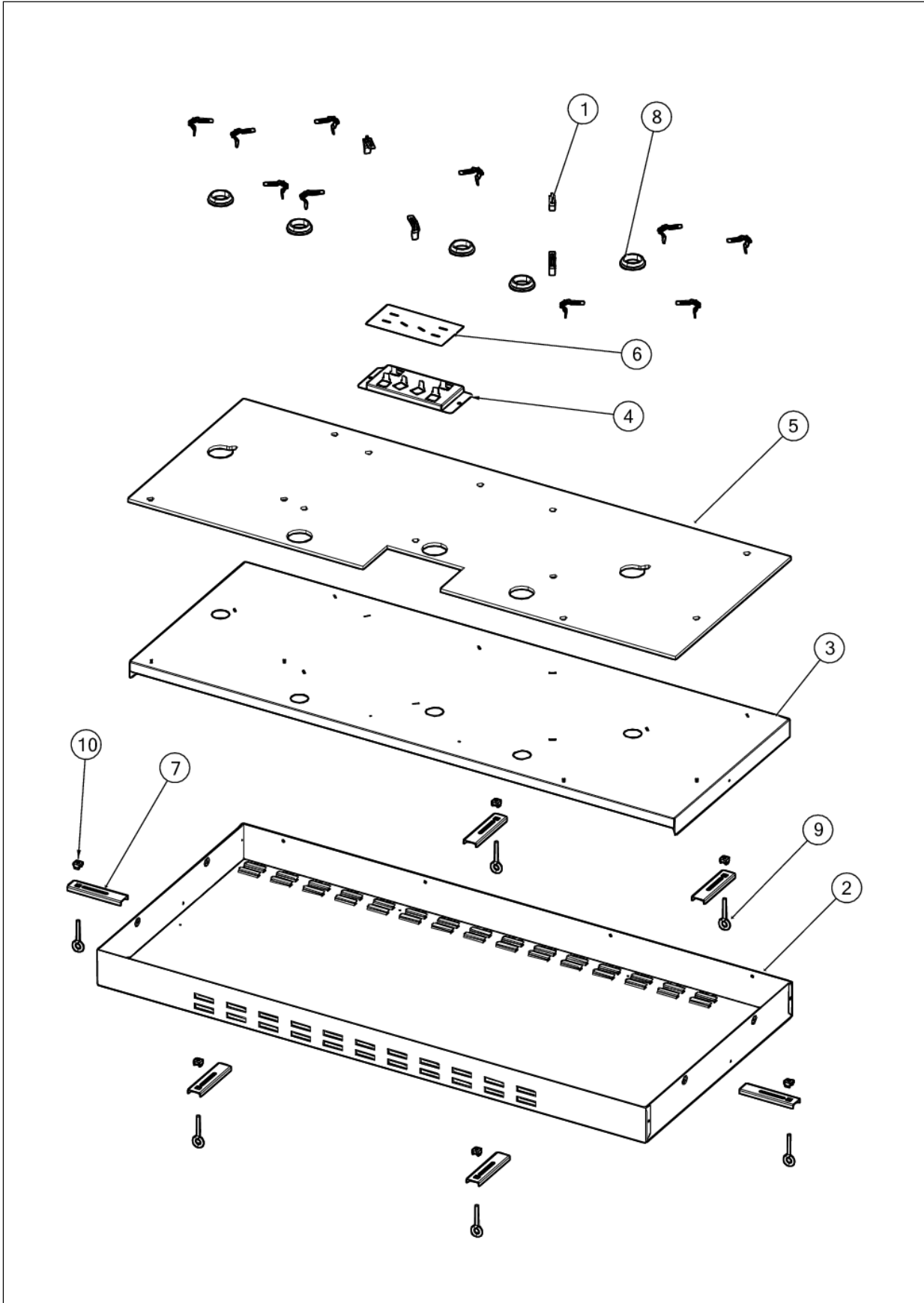


RVEC3456B

BASE	1
DECOR	2
ELECTRICAL	3
Appendix A:Pages Index	A
Appendix B:Parts Index	B

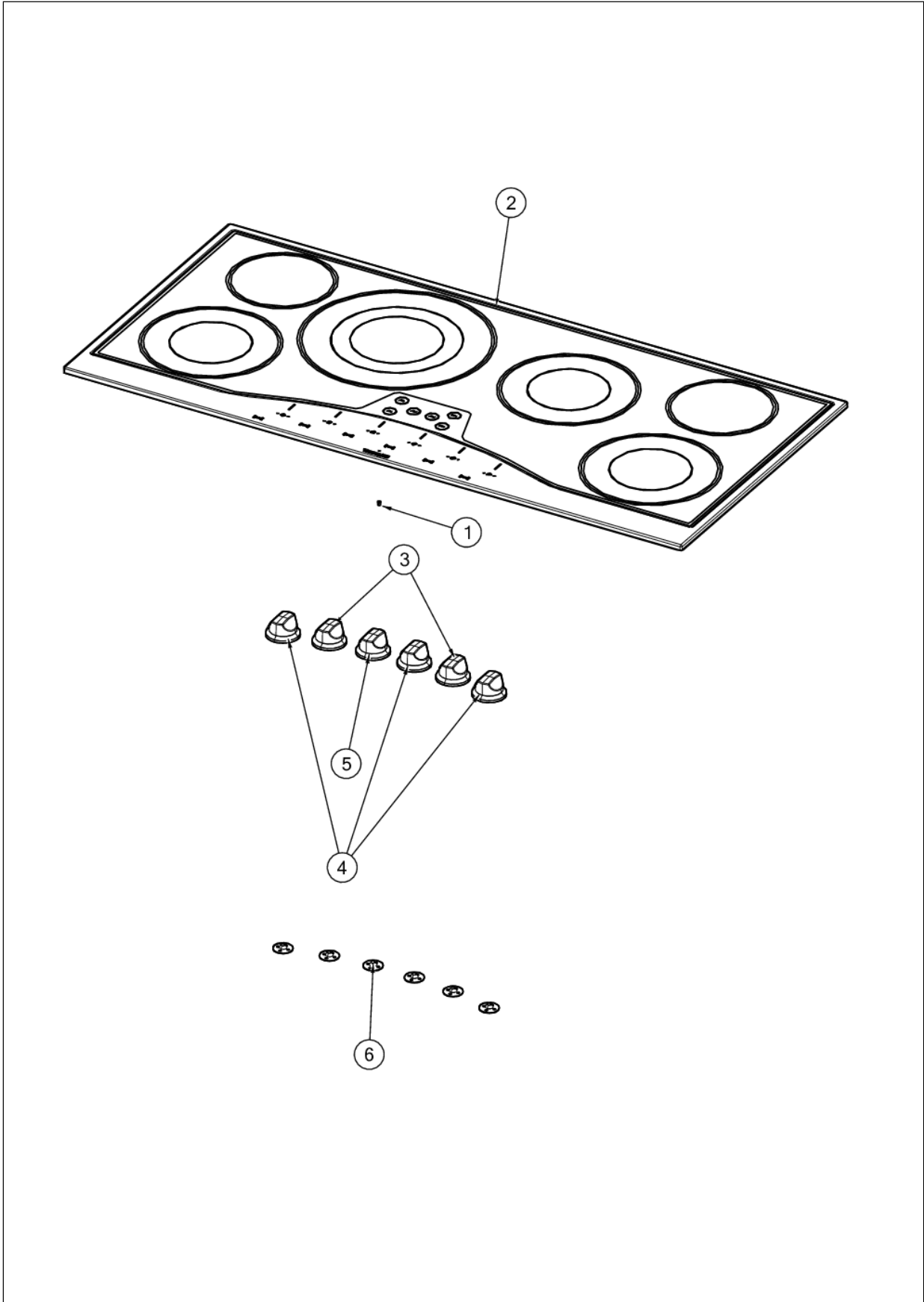
BASE





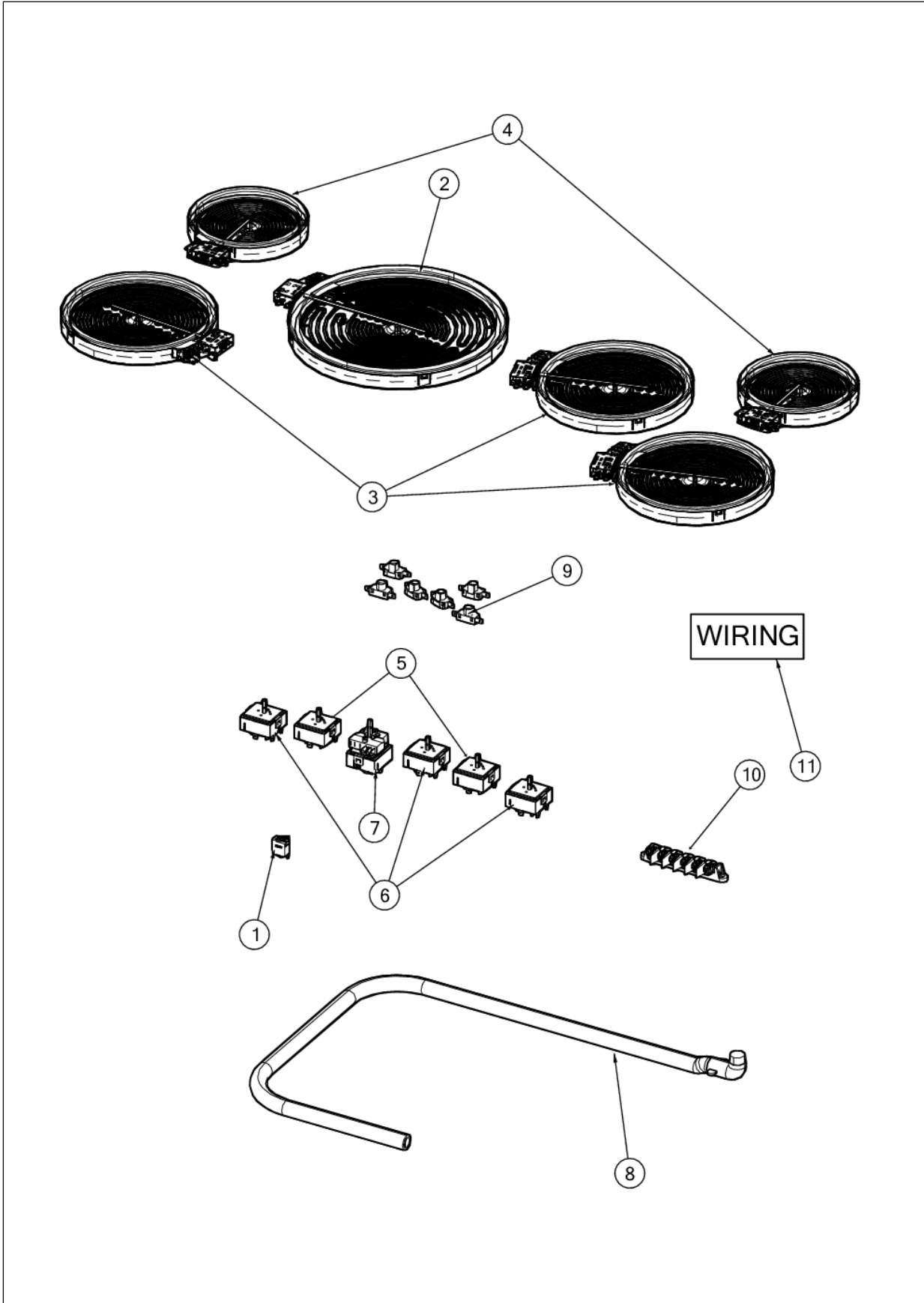
Item	Part No.	Name	Qty	Uom	NOTES
1	026923-000	CLIP, SPRING, ELECTRIC ELEMENT	14	EA	
2	033053-000	45" D3 ELEC COOKTOP BURNER BOX	1	EA	
3	033054-000	45" CROSS BRACE	1	EA	
4	033572-000	BRACKET,LIGHT,D3, 45"	1	EA	
5	034112-000	INSULATION, 45" COOKTOP	1	EA	
6	036552-000	INSULATION, INDICATOR LIGHT	1	EA	
7	038618-000	BRACKET, HOLD	6	EA	
8	PB070320	SILICONE EXTRUSION	5	EA	
9	PD010027	EYE BOLT-VGSU101/161	6	EA	
10	PD030029	SELF RETAINING NUT (1/4-20)	6	EA	

DECOR



Item	Part No.	Name	Qty	Uom	NOTES
1	017579-000	LENS, BLUE	1	EA	
2	042878-2541	RVEC3456B 45 GLASS TOP ASM	1	EA	
3	042164-000	KNOB, SNGL INF, COOKTOP, BLADE, D3PO, ASSY	2	EA	
4	042165-000	KNOB, DUAL INF, COOKTOP, BLADE, D3PO, ASSY	3	EA	
5	042166-000	KNOB, TRIPLE INF, COOKTOP, BLADE, D3PO, ASSY	1	EA	
6	PB070078	SILICONE GASKET (DESU)	6	EA	
NI	049338-000	45" KIT FOR RVEC3456B	1	EA	
	NOTE	(FOR UNITS BUILT BEFORE 1/5/14)		EA	

ELECTRICAL



Item	Part No.	Name	Qty	Uom	NOTES
1	017582-000	LIGHT HOUSING, BLUE NEON	1	EA	
2	031373-000	TRIPLE 3200W (1100/1000/1100) ELEMENT	1	EA	
3	031376-000	DOUBLE 2000W (1000/1000) ELEMENT	3	EA	
4	031377-000	SINGLE 1200W ELEMENT	2	EA	
5	031728-000	SINGLE INFINITE SWITCH	2	EA	
6	031733-000	DUAL INFINITE SWITCH	3	EA	
7	031734-000	TRIPLE INFINITE SWITCH	1	EA	
8	040209-000	HARNESS, CNDT, 45" ASSY	1	EA	
9	PE050077	INDICATOR LIGHT	6	EA	
10	054135-000	BLOCK, TERMINAL, 6-POLE (Heyco # 9454)	1	EA	
11	037004-000	HARNESS, MAIN, RDECU2566	1	EA	



Appendix A:Pages Index

BASE	1
DECOR	2
ELECTRICAL	3



Appendix B:Parts Index

017579-000	2
017582-000	3
026923-000	1
031373-000	3
031376-000	3
031377-000	3
031728-000	3
031733-000	3
031734-000	3
033053-000	1
033054-000	1
033572-000	1
034112-000	1
036552-000	1
037004-000	3
038618-000	1
040209-000	3
042164-000	2
042165-000	2
042166-000	2
042878-2541	2
049338-000	2
054135-000	3
PB070078	2
PB070320	1
PD010027	1
PD030029	1
PE050077	3