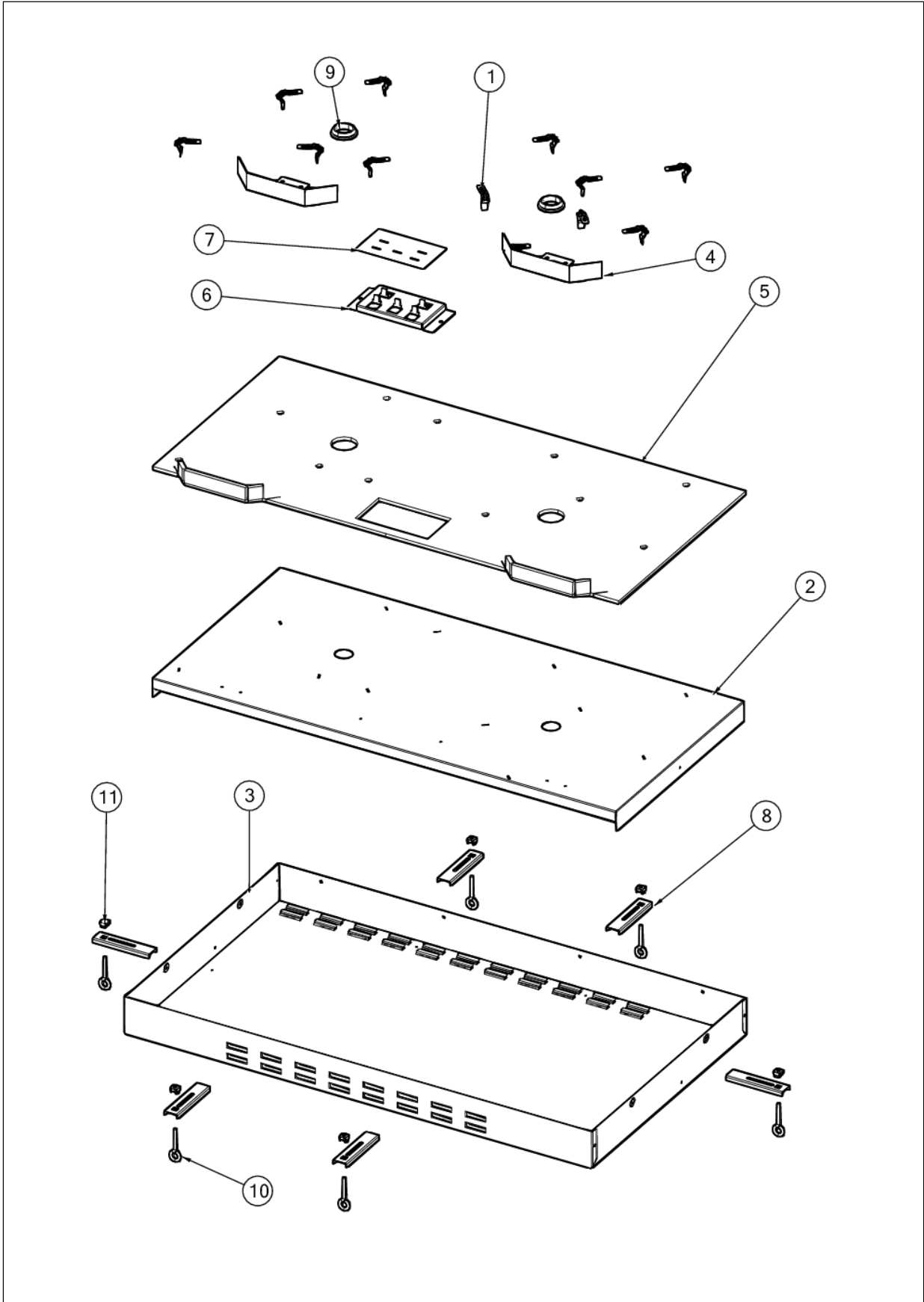


RVEC3365B

| | |
|------------------------------|---|
| BASE | 1 |
| DECOR | 2 |
| ELECTRICAL | 3 |
| Appendix A:Pages Index | A |
| Appendix B:Parts Index | B |

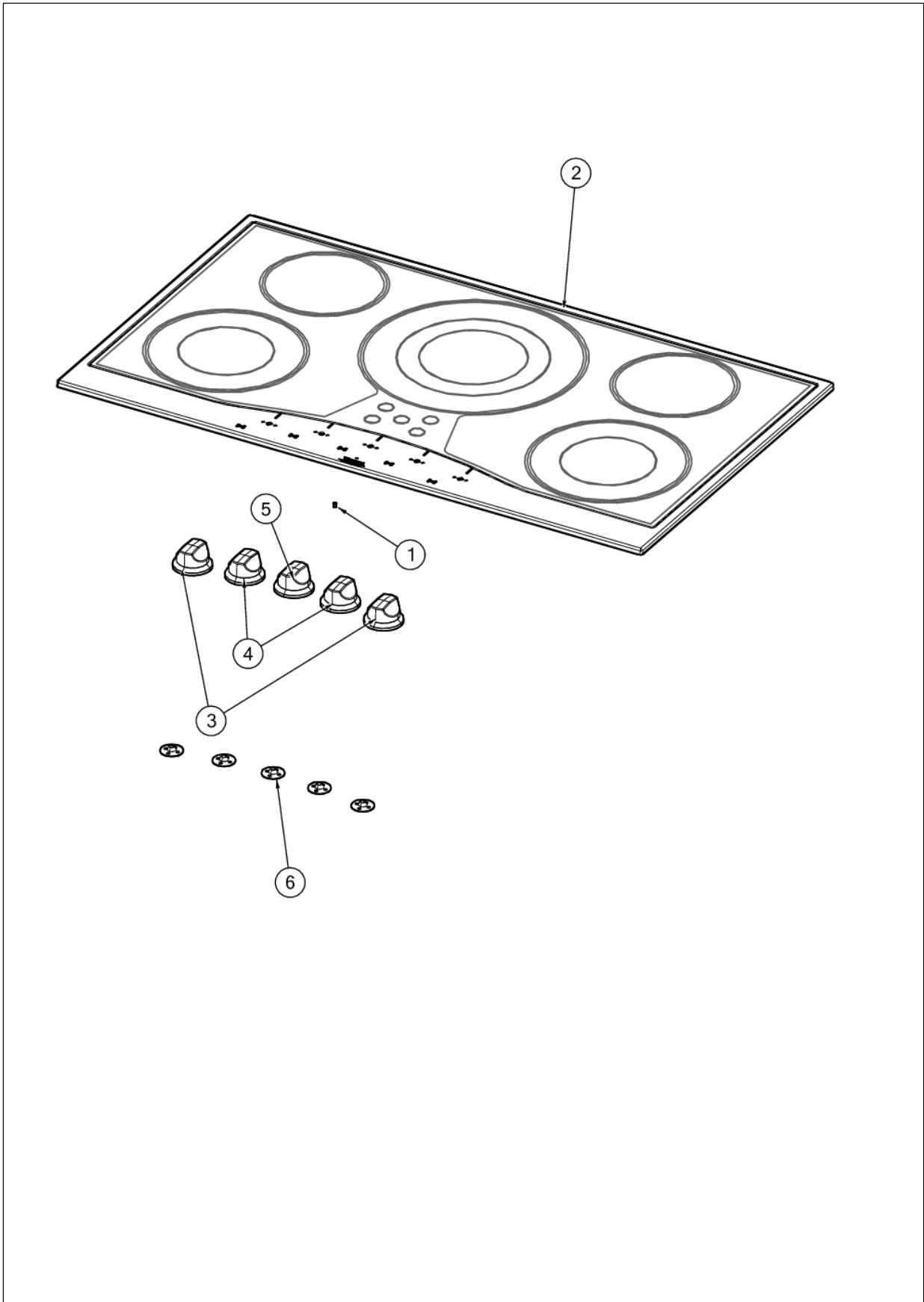
BASE





| Item | Part No. | Name | Qty | Uom | NOTES |
|------|------------|--------------------------------|-----|-----|-------|
| 1 | 026923-000 | CLIP, SPRING, ELECTRIC ELEMENT | 12 | EA | |
| 2 | 032271-000 | 36" CROSS BRACE | 1 | EA | |
| 3 | 032272-000 | BURNER BOX ASM, RDECU266 | 1 | EA | |
| 4 | 032995-000 | HEAT SHIELD | 2 | EA | |
| 5 | 033355-000 | D3 COOKTOP 36 INSULATION | 1 | EA | |
| 6 | 033491-000 | BRACKET, LIGHT, D3 | 1 | EA | |
| 7 | 034673-000 | INSULATOR, INDICATOR LIGHTS | 1 | EA | |
| 8 | 038618-000 | BRACKET, HOLD | 6 | EA | |
| 9 | PB070320 | SILICONE EXTRUSION | 2 | EA | |
| 10 | PD010027 | EYE BOLT-VGSU101/161 | 6 | EA | |
| 11 | PD030029 | SELF RETAINING NUT (1/4-20) | 6 | EA | |

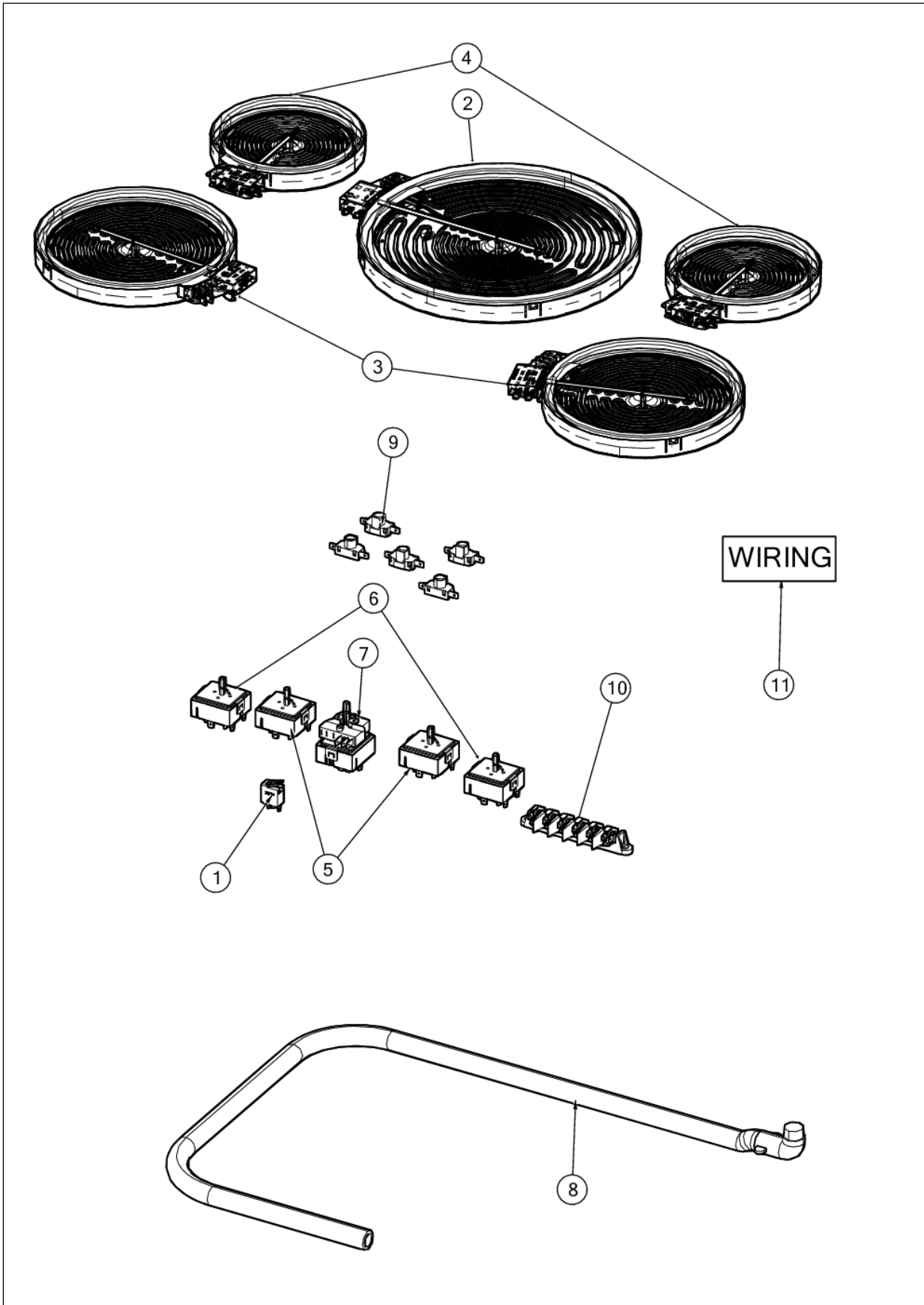
DECOR





| Item | Part No. | Name | Qty | Uom | NOTES |
|------|-------------|---|-----|-----|-------|
| 1 | 017579-000 | LENS, BLUE | 1 | EA | |
| 2 | 042877-2540 | RVEC3365B 36 GLASS TOP ASM | 1 | EA | |
| 3 | 042164-000 | KNOB, SNGL INF, COOKTOP, BLADE, D3PO, ASSY | 2 | EA | |
| 4 | 042165-000 | KNOB, DUAL INF, COOKTOP, BLADE, D3PO, ASSY | 2 | EA | |
| 5 | 042166-000 | KNOB, TRIPLE INF, COOKTOP, BLADE, D3PO, ASSY | 1 | EA | |
| 6 | PB070078 | SILICONE GASKET (DESU) | 5 | EA | |
| NI | 049337-000 | 36" KIT FOR RVEC3365B | 1 | EA | |
| | NOTE | (FOR UNITS BUILT BEFORE 1/5/14) | | EA | |

ELECTRICAL



| Item | Part No. | Name | Qty | Uom | NOTES |
|------|------------|---|-----|-----|-------|
| 1 | 017582-000 | LIGHT HOUSING, BLUE NEON | 1 | EA | |
| 2 | 031373-000 | TRIPLE 3200W (1100/1000/1100) ELEMENT | 1 | EA | |
| 3 | 031376-000 | DOUBLE 2000W (1000/1000) ELEMENT | 2 | EA | |
| 4 | 031377-000 | SINGLE 1200W ELEMENT | 2 | EA | |
| 5 | 031728-000 | SINGLE INFINITE SWITCH | 2 | EA | |
| 6 | 031733-000 | DUAL INFINITE SWITCH | 2 | EA | |
| 7 | 031734-000 | TRIPLE INFINITE SWITCH | 1 | EA | |
| 8 | 040209-000 | HARNESS, CNDT, 45" ASSY | 1 | EA | |
| 9 | PE050077 | INDICATOR LIGHT | 5 | EA | |
| 10 | 054135-000 | BLOCK, TERMINAL, 6-POLE (Heyco # 9454) | 1 | EA | |
| 11 | 034450-000 | HARNESS, MAIN WIRE, RDECU266 | 1 | EA | |



Appendix A:Pages Index

BASE 1
DECOR 2
ELECTRICAL 3



Appendix B:Parts Index

| | |
|-------------|---|
| 017579-000 | 2 |
| 017582-000 | 3 |
| 026923-000 | 1 |
| 031373-000 | 3 |
| 031376-000 | 3 |
| 031377-000 | 3 |
| 031728-000 | 3 |
| 031733-000 | 3 |
| 031734-000 | 3 |
| 032271-000 | 1 |
| 032272-000 | 1 |
| 032995-000 | 1 |
| 033355-000 | 1 |
| 033491-000 | 1 |
| 034450-000 | 3 |
| 034673-000 | 1 |
| 038618-000 | 1 |
| 040209-000 | 3 |
| 042164-000 | 2 |
| 042165-000 | 2 |
| 042166-000 | 2 |
| 042877-2540 | 2 |
| 049337-000 | 2 |
| 054135-000 | 3 |
| PB070078 | 2 |
| PB070320 | 1 |
| PD010027 | 1 |
| PD030029 | 1 |
| PE050077 | 3 |