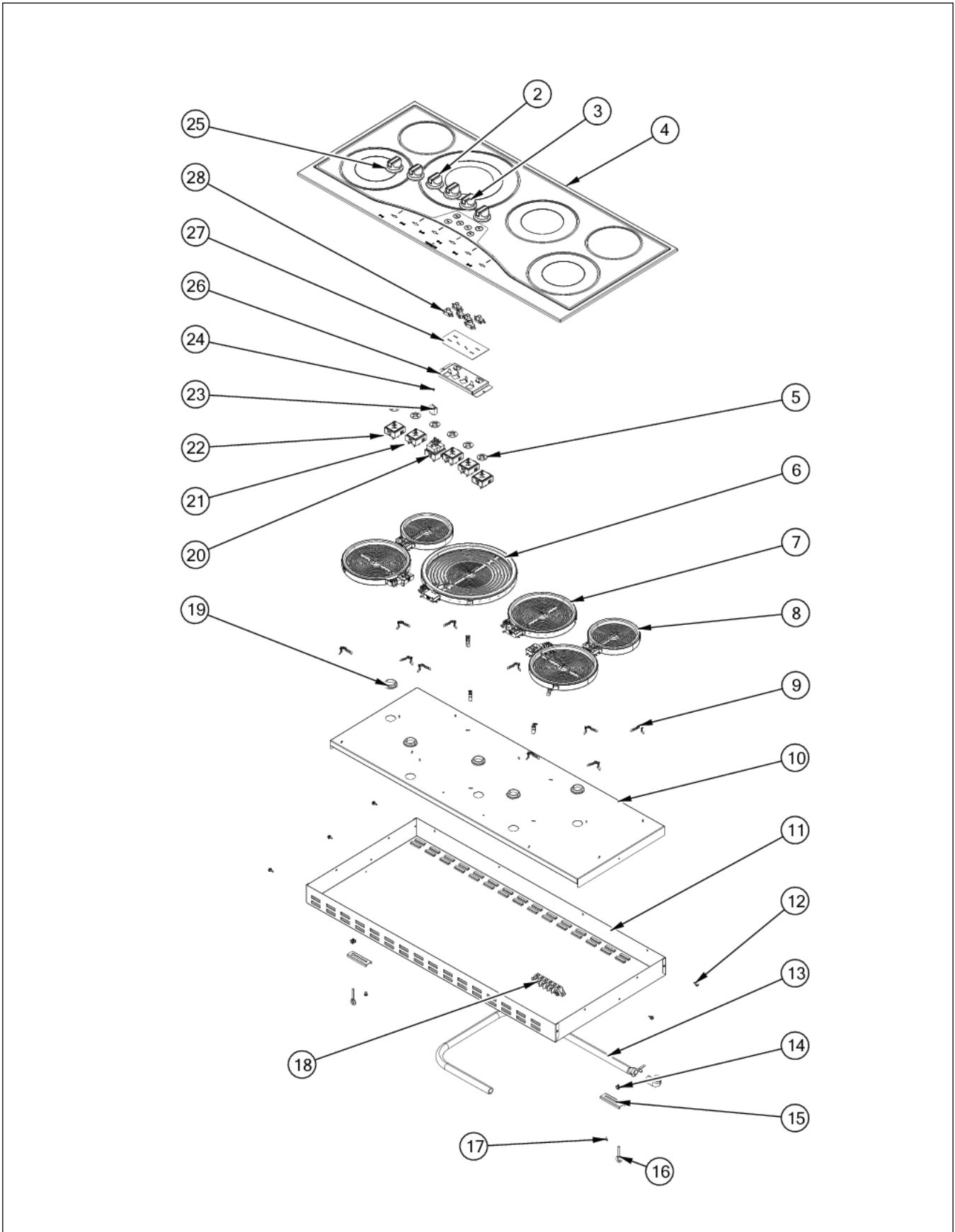


RDECU2566BSB

COOKTOP	1
Appendix A:Pages Index	A
Appendix B:Parts Index	B

COOKTOP



Item	Part No.	Name	Qty	Uom	NOTES
2	032299-000	TRIPLE INF. KNOB, ASM, COOKTOP, BLADE, D3	1	EA	
3	032292-000	SNGL INF KNOB, ASM, COOKTOP, BLADE, D3	2	EA	
4	033048-000	RDECU 45" GLASS TOP ASM	1	EA	
NI	042640-000	RDECU2566 SERVICE KIT	1	EA	
	NOTE	(APPLIES TO UNITS MANUFACTURED PRIOR TO 4/30/2013)		EA	
5	PB070078	SILICONE GASKET (DESU)	6	EA	
6	031373-000	TRIPLE 3200W (1100/1000/1100) ELEMENT	1	EA	
7	031376-000	DOUBLE 2000W (1000/1000) ELEMENT	3	EA	
8	031377-000	SINGLE 1200W ELEMENT	1	EA	
9	026923-000	CLIP, SPRING, ELECTRIC ELEMENT	12	EA	
10	033054-000	45" CROSS BRACE	1	EA	
11	033053-000	45" D3 ELEC COOKTOP BURNER BOX	1	EA	
12	003860-000	10-18 x .500 FASTNR,SCR,HXWH,STL,ZPLT	17	EA	
13	036549-000	CONDUIT, D3 45" COOKTOP	1	EA	
14	PD030029	SELF RETAINING NUT (1/4-20)	2	EA	
15	A2003053	Retainer Bracket	2	EA	
16	PD010027	EYE BOLT-VGSU101/161	2	EA	
17	PD020004	10X3/8PH.HD.TYPE 25 REPL PD040125	2	EA	
18	054135-000	BLOCK, TERMINAL, 6-POLE (Heyco # 9454)	1	EA	
19	PB070320	SILICONE EXTRUSION	5	EA	
20	031734-000	TRIPLE INFINITE SWITCH	1	EA	
21	031733-000	DUAL INFINITE SWITCH	3	EA	
22	031728-000	SINGLE INFINITE SWITCH	2	EA	
23	017582-000	LIGHT HOUSING, BLUE NEON	1	EA	
24	017579-000	LENS, BLUE	1	EA	
25	032297-000	DUAL INF. KNOB ASM, COOKTOP, BLADE, D3	3	EA	



Item	Part No.	Name	Qty	Uom	NOTES
26	033572-000	BRACKET,LIGHT,D3, 45"	1	EA	
27	036552-000	INSULATION, INDICATOR LIGHT	1	EA	
28	PE050077	INDICATOR LIGHT	5	EA	
NI	034112-000	INSULATION, 45" COOKTOP	1	EA	
NI	037004-000	HARNESS, MAIN, RDECU2566	1	EA	



Appendix A:Pages Index

COOKTOP 1



Appendix B:Parts Index

003860-000	1
017579-000	1
017582-000	1
026923-000	1
031373-000	1
031376-000	1
031377-000	1
031728-000	1
031733-000	1
031734-000	1
032292-000	1
032297-000	1
032299-000	1
033048-000	1
033053-000	1
033054-000	1
033572-000	1
034112-000	1
036549-000	1
036552-000	1
037004-000	1
042640-000	1
054135-000	1
A2003053	1
PB070078	1
PB070320	1
PD010027	1
PD020004	1
PD030029	1
PE050077	1