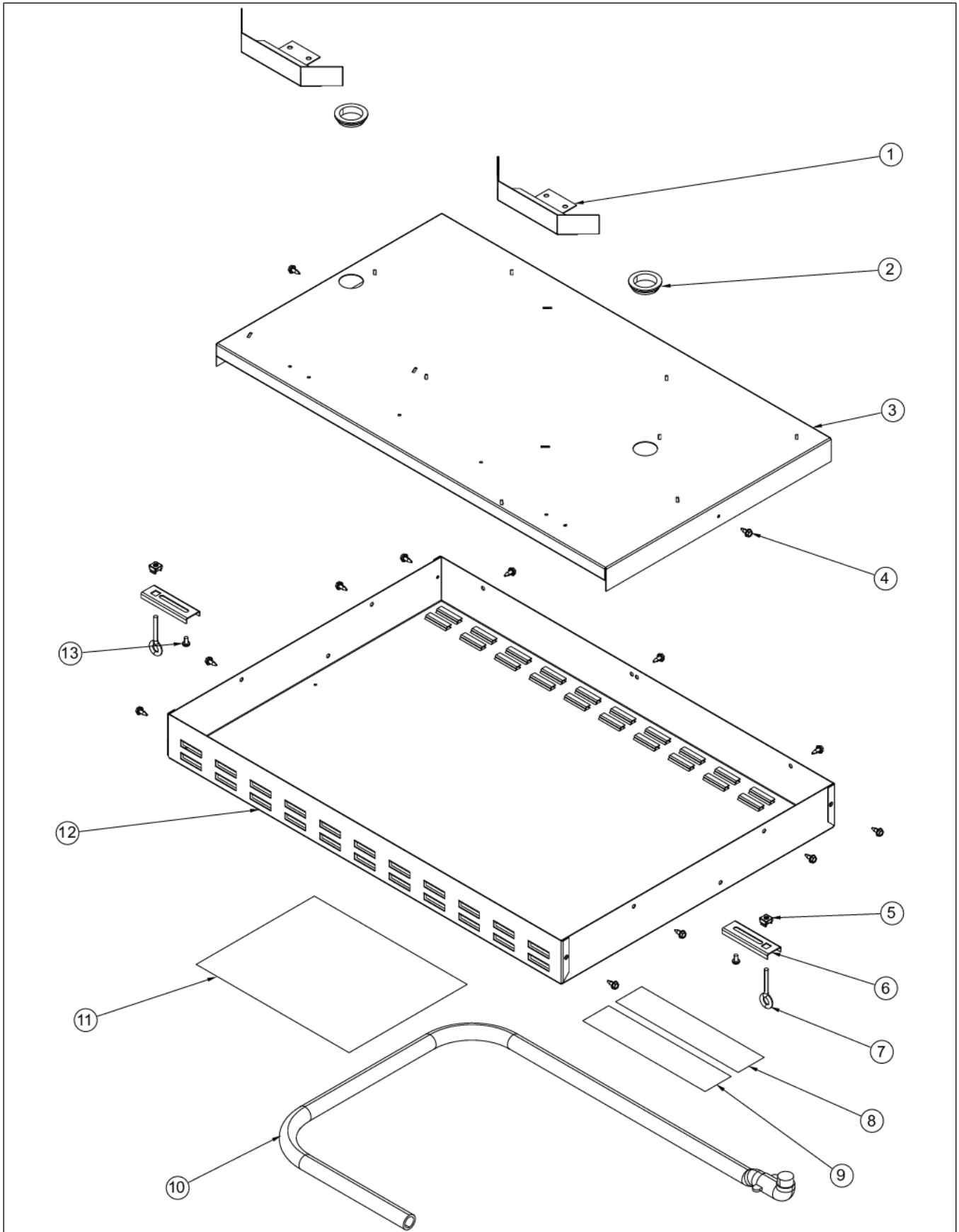


RDECU2065B

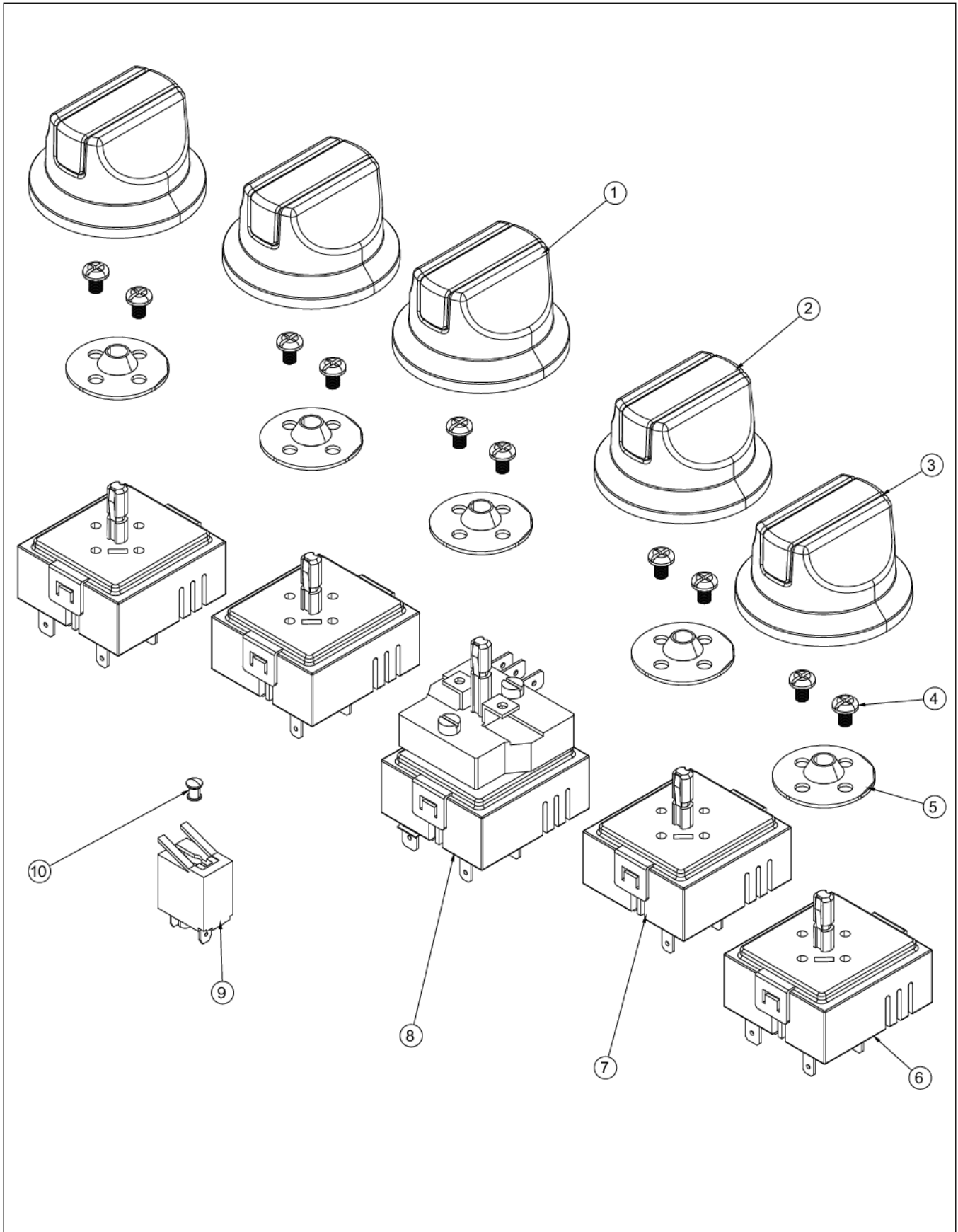
BURNER BOX AREA	1
CONTROL AREA	2
SURFACE COOKING AREA	3
Appendix A:Pages Index	A
Appendix B:Parts Index	B

BURNER BOX AREA



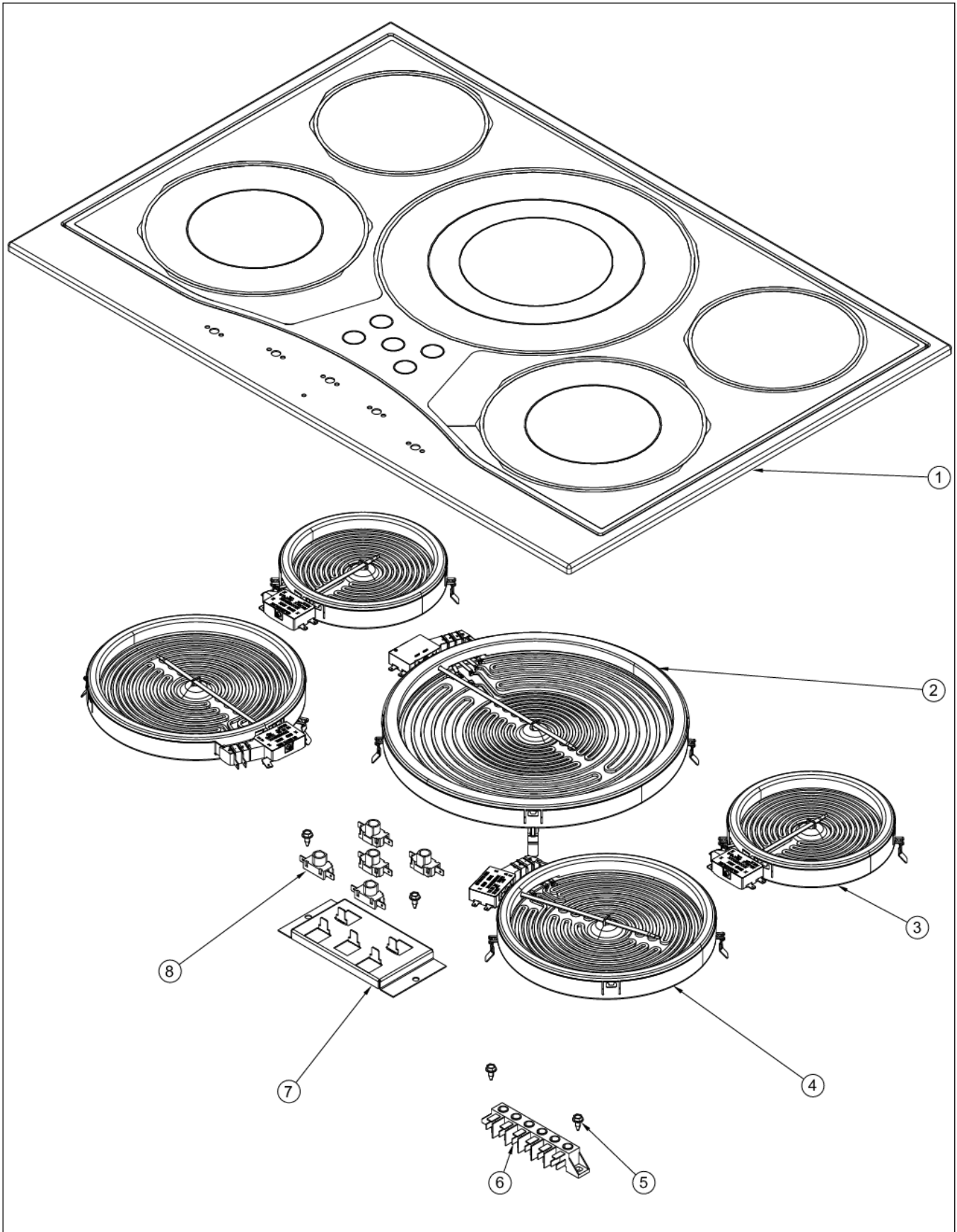
Item	Part No.	Name	Qty	Uom	NOTES
1	032995-000	HEAT SHIELD	2	EA	
2	PB070320	SILICONE EXTRUSION	2	EA	
3	032139-000	30" CROSS BRACE	1	EA	
4	003860-000	10-18 x .500 FASTNR,SCR,HXWH,STL,ZPLT	13	EA	
5	PD030029	SELF RETAINING NUT (1/4-20)	2	EA	
6	A2003053	Retainer Bracket	2	EA	
7	PD010027	EYE BOLT-VGSU101/161	2	EA	
8	PE020047	RATING LABEL	1	EA	
9	PE020050	RATING PLATE (VESC/VERT)	1	EA	
10	040209-000	HARNESS, CNDT, 45" ASSY	1	EA	
11	033788-200	WIRING DIAGRAM	1	EA	Not available online / Call for pricing and availability
12	NON-SERVICEABLE	BURNER BOX ASM, RDECU206	1	EA	
13	PD020004	10X3/8PH.HD.TYPE 25 REPL PD040125	1	EA	

CONTROL AREA



Item	Part No.	Name	Qty	Uom	NOTES
1	032299-000	TRIPLE INF. KNOB, ASM, COOKTOP, BLADE, D3	1	EA	
2	032292-000	SNGL INF KNOB, ASM, COOKTOP, BLADE, D3	2	EA	
3	032297-000	DUAL INF. KNOB ASM, COOKTOP, BLADE, D3	2	EA	
4	PD020269	#8 PAN HEAD SCREW	10	EA	
5	PB070078	SILICONE GASKET (DESU)	5	EA	
6	031733-000	DUAL INFINITE SWITCH	2	EA	
7	031728-000	SINGLE INFINITE SWITCH	2	EA	
8	031734-000	TRIPLE INFINITE SWITCH	1	EA	
9	017582-000	LIGHT HOUSING, BLUE NEON	1	EA	
10	017579-000	LENS, BLUE	1	EA	

SURFACE COOKING AREA



Item	Part No.	Name	Qty	Uom	NOTES
1	032151-000	RDECU 30 GLASS TOP ASM	1	EA	
2	032150-000	TRIPLE ELEMENT ASM, D3	1	EA	
3	032146-000	6" ELEMENT ASM, D3	2	EA	
4	032149-000	8" ELEMENT ASM, D3	2	EA	
5	003860-000	10-18 x .500 FASTNR,SCR,HXWH,STL,ZPLT	4	EA	
6	054135-000	BLOCK, TERMINAL, 6-POLE (Heyco # 9454)	1	EA	
7	033491-000	BRACKET, LIGHT, D3	1	EA	
8	PE050113	DECU INDICATOR LIGHT (SP- 2185-BDPS)	5	EA	



Appendix A:Pages Index

BURNER BOX AREA	1
CONTROL AREA	2
SURFACE COOKING AREA	3



Appendix B:Parts Index

003860-000	1, 3
017579-000	2
017582-000	2
031728-000	2
031733-000	2
031734-000	2
032139-000	1
032146-000	3
032149-000	3
032150-000	3
032151-000	3
032292-000	2
032297-000	2
032299-000	2
032995-000	1
033491-000	3
033788-200	1
040209-000	1
054135-000	3
A2003053	1
PB070078	2
PB070320	1
PD010027	1
PD020004	1
PD020269	2
PD030029	1
PE020047	1
PE020050	1
PE050113	3