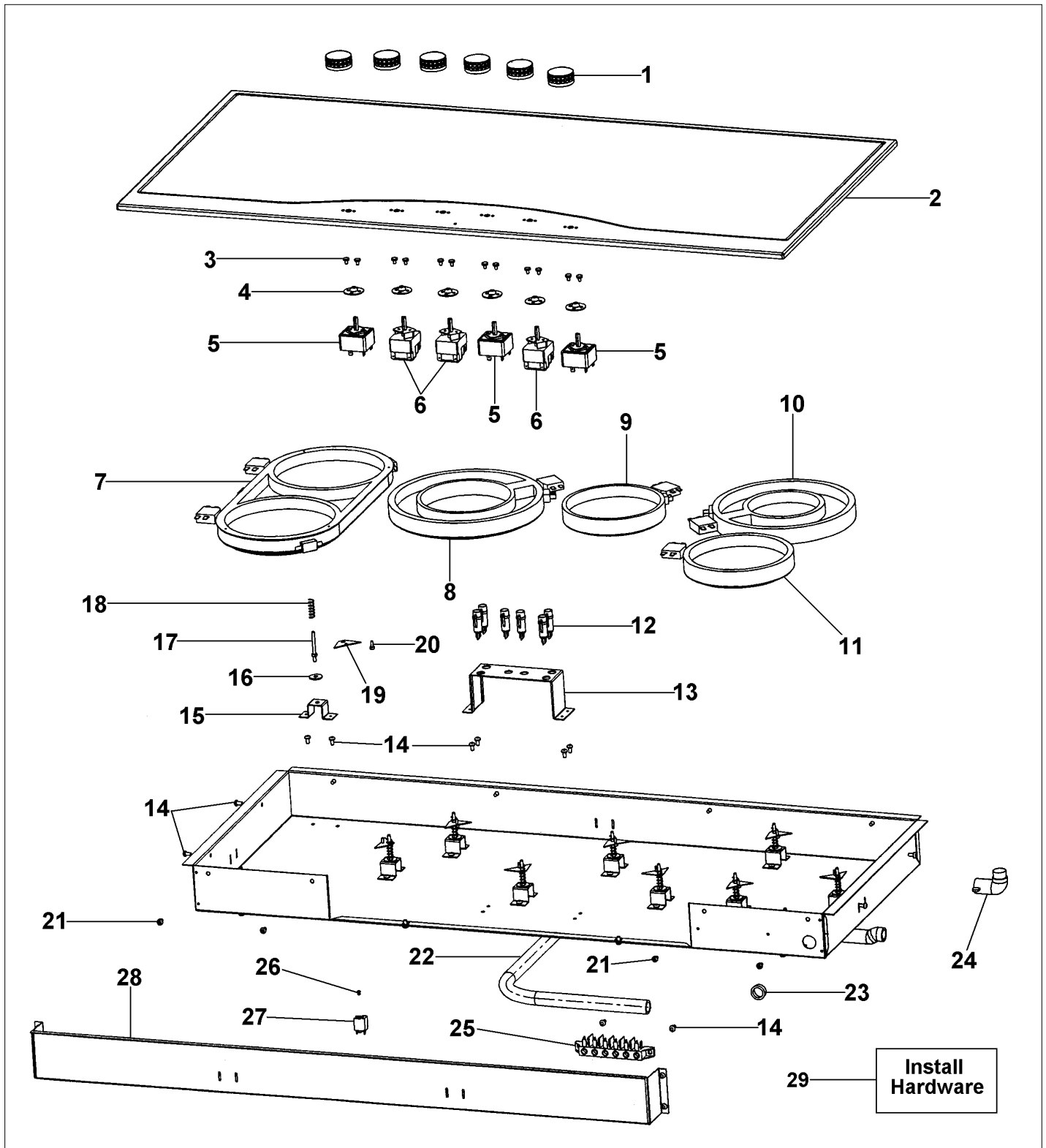


EDECU155

COOKTOP ASSEMBLY	1
PE070478 HARNESS	2
SINGLE WIRING	3
Appendix A:Pages Index	A
Appendix B:Parts Index	B

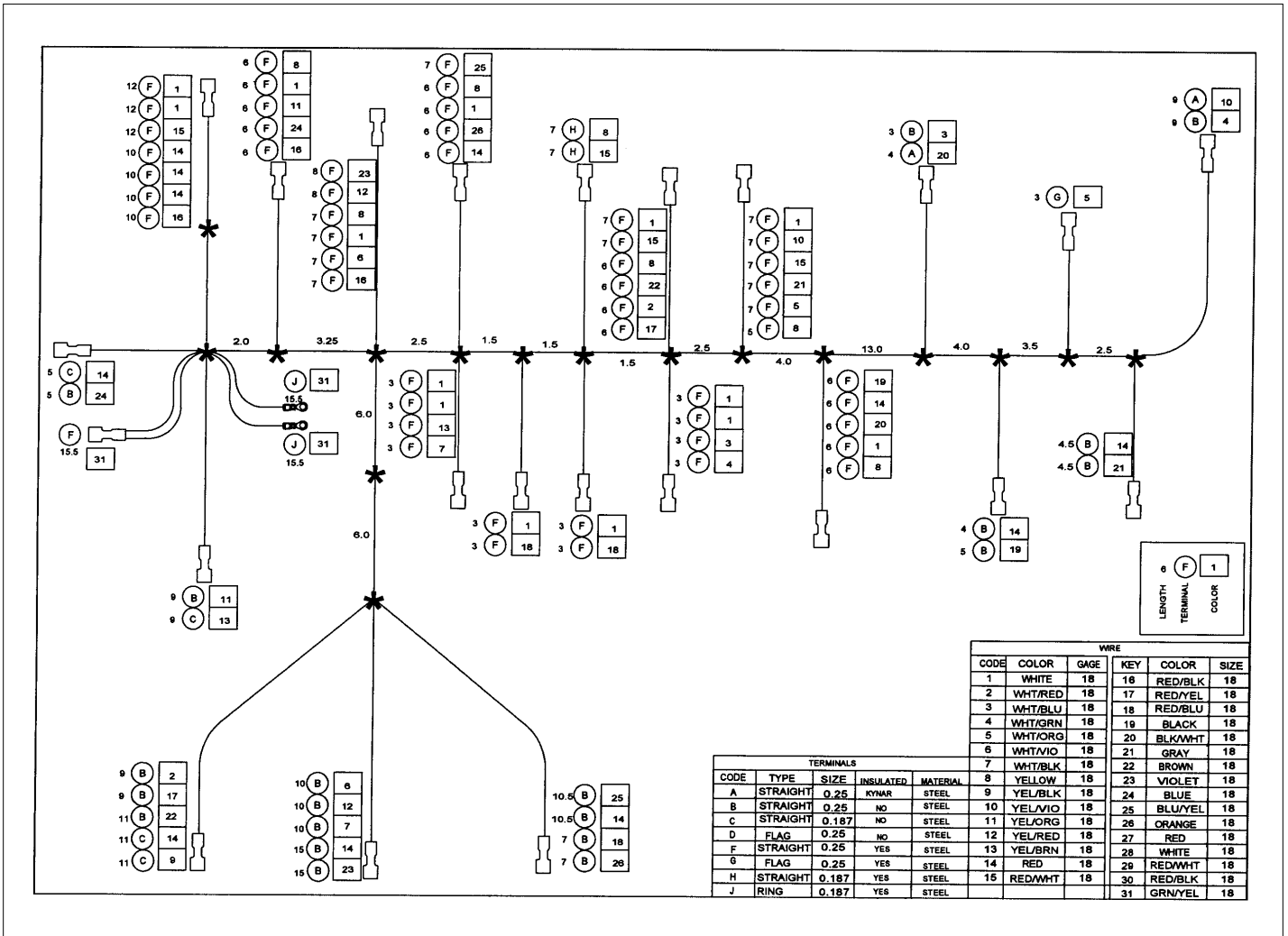
COOKTOP ASSEMBLY



Item	Part No.	Name	Qty	Uom	NOTES
1	PB010199	ELECTRIC DESIGNER COOKTOP KNOB (BK)	1	EA	
	PB010199PVD	ELECT. DESIGNER COOKTOP KNOB BRASS	1	EA	NO LONGER AVAILABLE
	PB010213	ELECTRIC DESIGNER COOKTOP KNOB (WH)	1	EA	Not available online / Call for pricing and availability
	PB010213PVD	ELECT. DESIGNER COOKTOP KNOB BRASS	1	EA	NO LONGER AVAILABLE
2	017721-000	DESIGNER TOP ASSY DECU155-6BSB	1	EA	
	G5005742	DESIGNER TOP ASSY DECU155-6BSW	1	EA	Not available online / Call for pricing and availability
3	PD020044	#8-32 X 1/4" PH. TR. HD. M.S.	1	EA	
4	PB070078	SILICONE GASKET (DESU)	1	EA	
5	PJ030019	INFINITE SWITCH	1	EA	
6	074017-000	Dual infinite switch kit	1	EACH	
7	079358-000	Bridge element replacement kit	1	EACH	
8	076901-000	ASM, ELEMENT, RIBBON - 3000/1400W	1	EACH	
9	PJ020006	1200 ELEMENT	1	EA	
10	PJ020002	ELEMENT 2200 (750)	1	EA	
11	076900-000	ASM, ELEMENT, RIBBON - 1500W	1	EA	
12	PE050113	DECU INDICATOR LIGHT (SP-2185-BDPS)	1	EA	
13	A2005727	DECU45 LIGHT BRACKET	1	EA	NO LONGER AVAILABLE, Not available online / Call for pricing and availability
14	PD020004	10X3/8PH.HD.TYPE 25 REPL PD040125	1	EA	
15	A2005715	GUIDE HAT BRACKET (DECU)	1	EA	
16	PD040054	ELEMENT STUD WASHER	1	EA	NO LONGER AVAILABLE, Not available online / Call for pricing and availability
17	PD010148	ELEMENT STUD	1	EA	

Item	Part No.	Name	Qty	Uom	NOTES
18	PC010006	GUIDE SPRING DESU	1	EA	
19	PM010494	CERAMASPEED BRACKET	1	EA	
20	PD020067	#6 X 3/8" PAN PHIL. TEK *SS*	1	EA	
21	PD020055	#10 X 1/2" PAN PHIL. TEK.*SS*	1	EA	
22	PB020071	CONDUIT - FLEXIBLE (48")	1	EA	
23	PD040005	SNAP BUSHING - 7/8"	1	EA	
24	PB040070	CONDUIT FITTING (90 DEG)	1	EA	
25	054135-000	BLOCK, TERMINAL, 6-POLE (Heyco # 9454)	1	EA	
26	PE050080	JEMCO LENS	1	EA	NO LONGER AVAILABLE
27	PE050079	LENS OPENING	1	EA	
28	A3005711	DECU/DGCU CONTROL PANEL COVER	1	EA	NO LONGER AVAILABLE, Not available online / Call for pricing and availability
29	A2005721	MOUNT BRACKET (DECU)	1	EA	
	NOTE	INSTALLATION HARDWARE - QTY. 5		EA	
	PD030029	SELF RETAINING NUT (1/4-20)	1	EA	
	NOTE	INSTALLATION HARDWARE - QTY. 5		EA	
	PD010027	EYE BOLT-VGSU101/161	1	EA	
	NOTE	INSTALLATION HARDWARE - QTY. 5		EA	

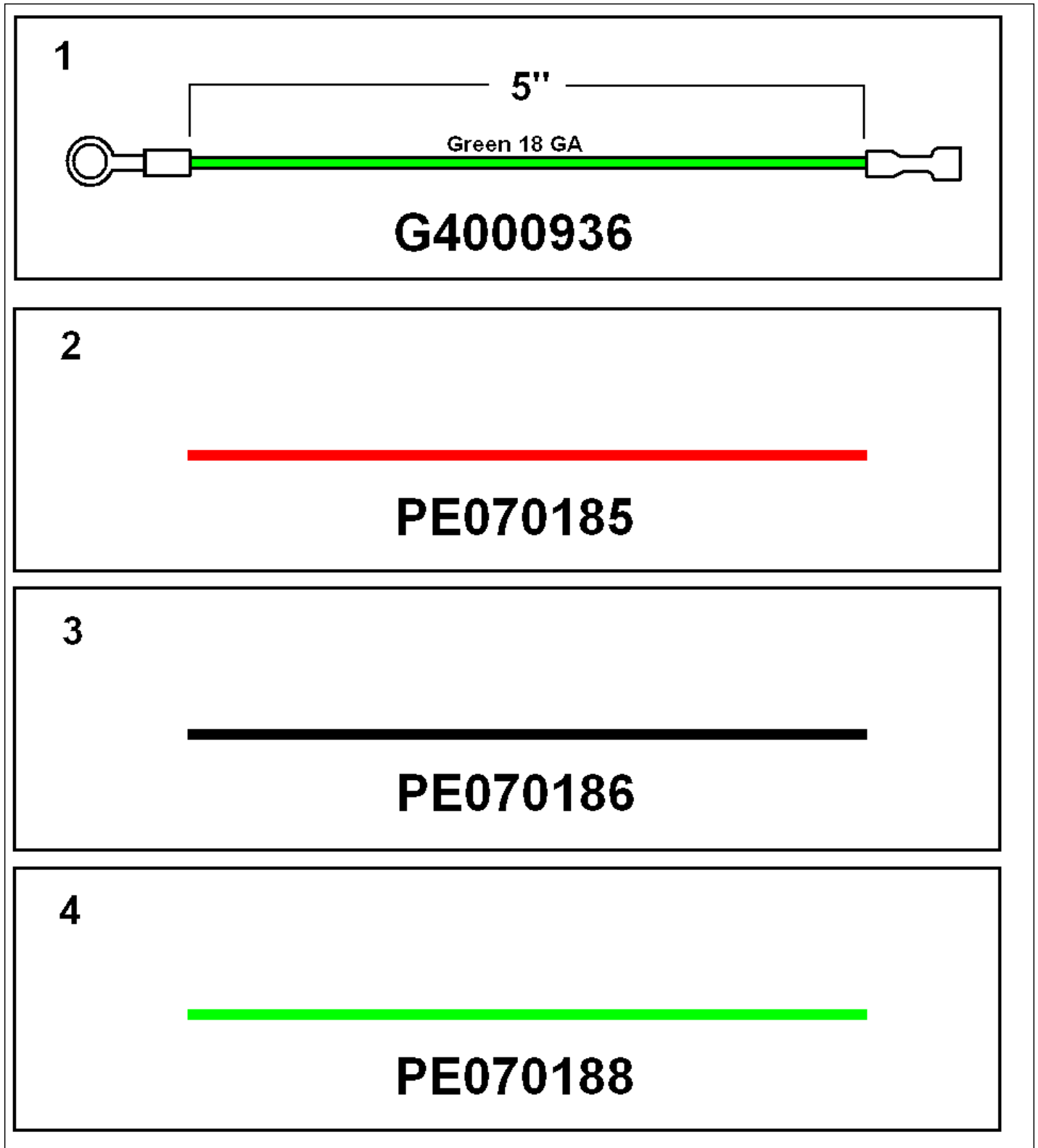
PE070478 HARNESS





Item	Part No.	Name	Qty	Uom	NOTES
1	PE070478	EDECU 150 WIRE HARNESS	1	EA	NO LONGER AVAILABLE, Not available online / Call for pricing and availability

SINGLE WIRING



Item	Part No.	Name	Qty	Uom	NOTES
1	G4000936	GROUND WIRE	1	EA	
2	PE070185	RED WIRE (10 GA.SF-2 200DEG.C 600V	1	EA	NO LONGER AVAILABLE
3	PE070186	*BK* WIRE (10 GA.SF-2 200DEG.C600V	1	EA	NO LONGER AVAILABLE
4	PE070188	GREEN WIRE (10 GA.SF-2 200DEG.C600V	1	EA	NO LONGER AVAILABLE



Appendix A:Pages Index

COOKTOP ASSEMBLY	1
PE070478 HARNESS	2
SINGLE WIRING	3



Appendix B:Parts Index

017721-000	1
054135-000	1
074017-000	1
076900-000	1
076901-000	1
079358-000	1
A2005715	1
A2005721	1
A2005727	1
A3005711	1
G4000936	3
G5005742	1
PB010199	1
PB010199PVD	1
PB010213	1
PB010213PVD	1
PB020071	1
PB040070	1
PB070078	1
PC010006	1
PD010027	1
PD010148	1
PD020004	1
PD020044	1
PD020055	1
PD020067	1
PD030029	1
PD040005	1
PD040054	1
PE050079	1
PE050080	1
PE050113	1
PE070185	3
PE070186	3
PE070188	3
PE070478	2
PJ020002	1
PJ020006	1
PJ030019	1
PM010494	1