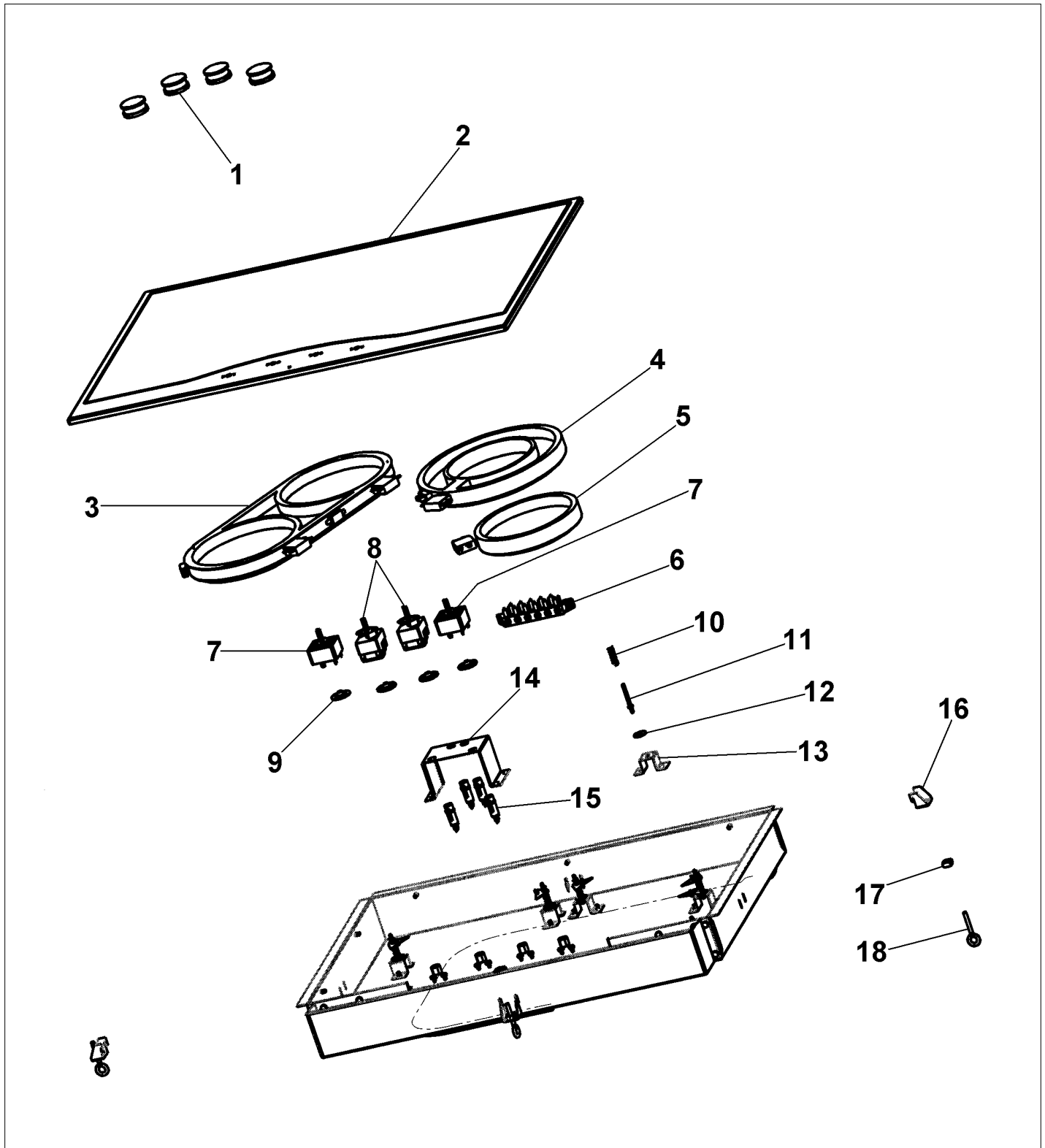


EDECU105

ASSEMBLY	1
Appendix A:Pages Index	A
Appendix B:Parts Index	B

ASSEMBLY



Item	Part No.	Name	Qty	Uom	NOTES
1	PB010199	ELECTRIC DESIGNER COOKTOP KNOB (BK)	1	EA	
	PB010199PVD	ELECT. DESIGNER COOKTOP KNOB BRASS	1	EA	NO LONGER AVAILABLE
	PB010213	ELECTRIC DESIGNER COOKTOP KNOB (WH)	1	EA	Not available online / Call for pricing and availability
	PB010213PVD	ELECT. DESIGNER COOKTOP KNOB BRASS	1	EA	NO LONGER AVAILABLE
2	017716-000	DESIGNER TOP ASSY DECU105-4BSB	1	EA	
	G5005738	DESIGNER TOP ASSY DECU105-4BSW	1	EA	Not available online / Call for pricing and availability
3	079358-000	Bridge element replacement kit	1	EACH	
4	076901-000	ASM, ELEMENT, RIBBON - 3000/1400W	1	EACH	
5	076900-000	ASM, ELEMENT, RIBBON - 1500W	1	EA	
6	054135-000	BLOCK, TERMINAL, 6-POLE (Heyco # 9454)	1	EA	
7	PE030019	SUB TO F0002577BR - DRAWER HND[VUC180]	1	EA	NO LONGER AVAILABLE, Not available online / Call for pricing and availability
8	074017-000	Dual infinite switch kit	1	EACH	
9	PB070078	SILICONE GASKET (DESU)	1	EA	
10	PC010006	GUIDE SPRING DESU	1	EA	
11	PD010048	BURNER GUIDE ASSEMBLY DESU	1	EA	
12	PD040054	ELEMENT STUD WASHER	1	EA	NO LONGER AVAILABLE, Not available online / Call for pricing and availability
13	A2005715	GUIDE HAT BRACKET (DECU)	1	EA	
14	A2005723	DECU30 LIGHT BRACKET	1	EA	NO LONGER AVAILABLE, Not available online / Call for pricing and availability
15	PE050113	DECU INDICATOR LIGHT (SP-2185-BDPS)	1	EA	

Item	Part No.	Name	Qty	Uom	NOTES
16	A2005721	MOUNT BRACKET (DECU)	1	EA	
17	PD030029	SELF RETAINING NUT (1/4-20)	1	EA	
18	PD010027	EYE BOLT-VGSU101/161	1	EA	
NI	PE070480	EDECU 100 WIRE HARNESS	1	EA	NO LONGER AVAILABLE



Appendix A:Pages Index

ASSEMBLY1



Appendix B:Parts Index

017716-000	1
054135-000	1
074017-000	1
076900-000	1
076901-000	1
079358-000	1
A2005715	1
A2005721	1
A2005723	1
G5005738	1
PB010199	1
PB010199PVD	1
PB010213	1
PB010213PVD	1
PB070078	1
PC010006	1
PD010027	1
PD010048	1
PD030029	1
PD040054	1
PE030019	1
PE050113	1
PE070480	1