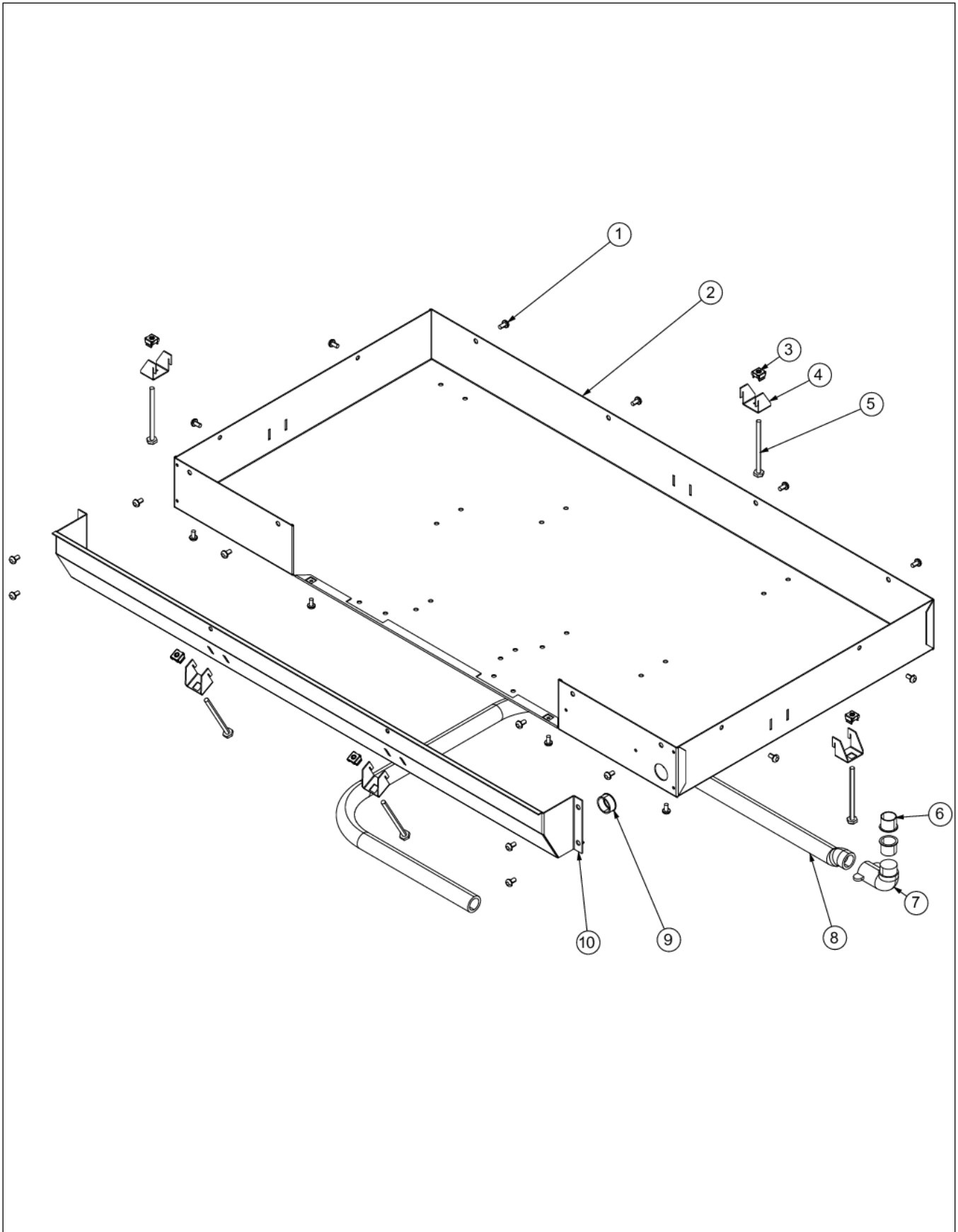


**DECU166-5B**

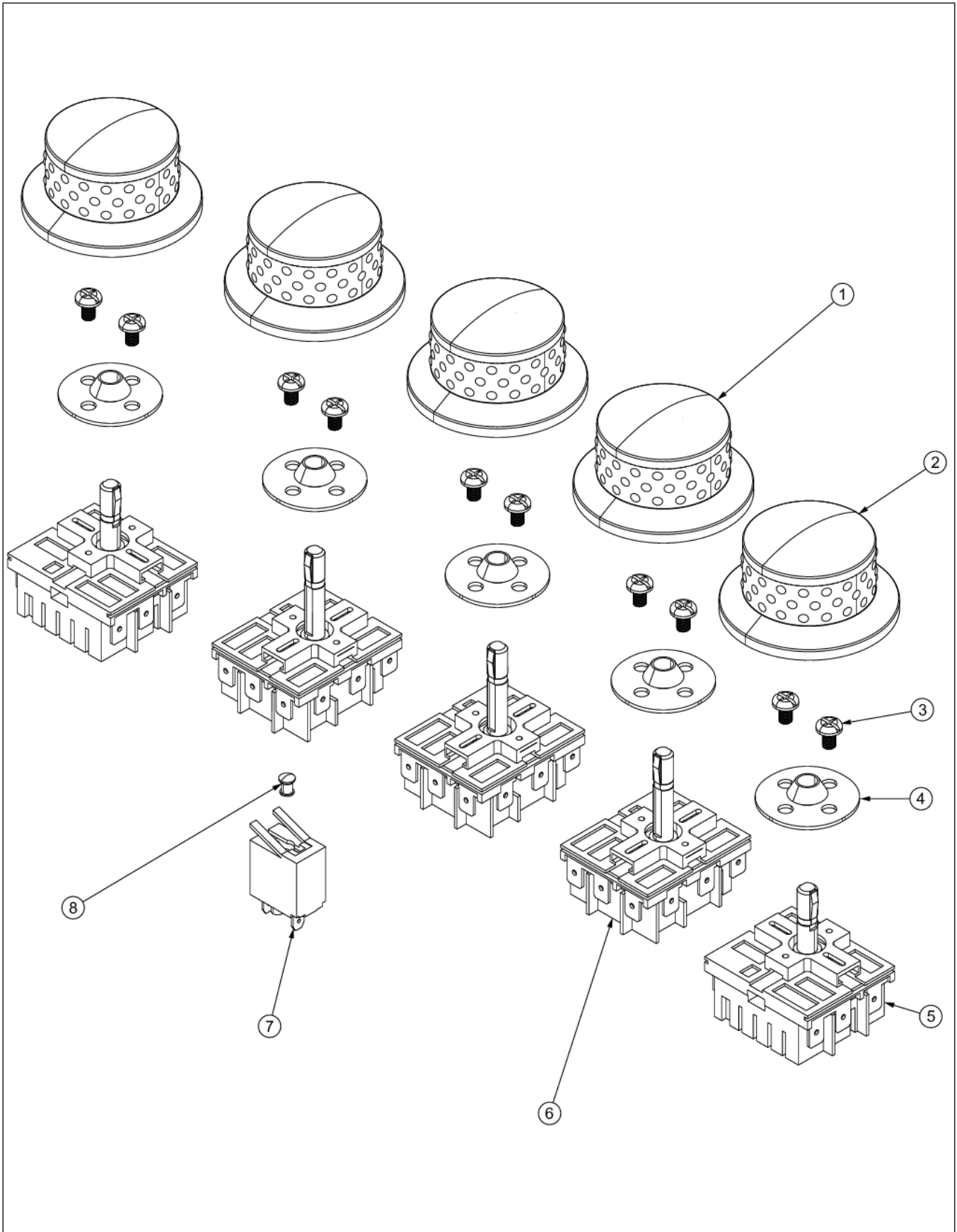
BURNER BOX AREA .....	1
CONTROL AREA .....	2
SURFACE COOKING AREA .....	3
Appendix A:Pages Index .....	A
Appendix B:Parts Index .....	B

BURNER BOX AREA



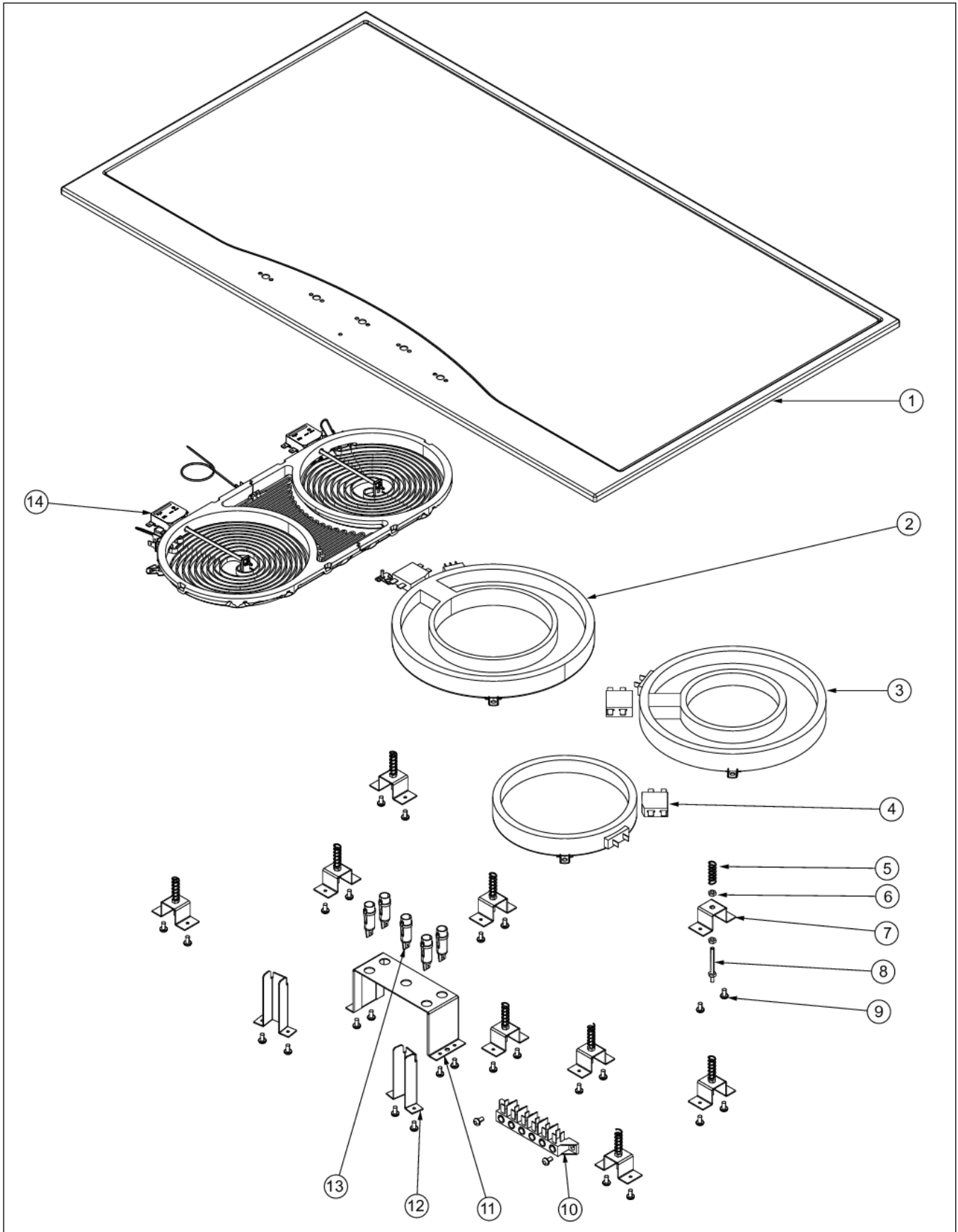
Item	Part No.	Name	Qty	Uom	NOTES
1	PD020004	10X3/8PH.HD.TYPE 25 REPL PD040125	20	EA	
2	A2005708	BURNER BOX 36 (DECU)	1	EA	Not available online / Call for pricing and availability
3	PD030029	SELF RETAINING NUT (1/4-20)	5	EA	
4	A2005721	MOUNT BRACKET (DECU)	5	EA	
5	PD020123	BOLT 1/4-20 X 3 HEX HD	5	EA	
6	PD040034	CONDUIT GROMMET (1/2")	2	EA	
7	PB040070	CONDUIT FITTING (90 DEG)	1	EA	
8	PB020071	CONDUIT - FLEXIBLE (48")	1	EA	
9	PD040005	SNAP BUSHING - 7/8"	1	EA	
10	A2005798	DECU165 CONTROL COVER	1	EA	Not available online / Call for pricing and availability

CONTROL AREA



Item	Part No.	Name	Qty	Uom	NOTES
1	014559-000	KNOB, BLACK, SLEEVE, DESG COOKTOP	3	EA	
NI	014560-000	KNOB, GRAY SLEEVE, DE COOKTOP	3	EA	Not available online / Call for pricing and availability
2	013957-000	KNOB, ASM, DESG COOKTOP	2	EA	
NI	013959-000	KNOB, ASM, GRAY, DOUBLE D INSERT, COOKTOP	2	EA	Not available online / Call for pricing and availability
3	PD020269	#8 PAN HEAD SCREW	10	EA	
4	PB070078	SILICONE GASKET (DESU)	5	EA	
5	PJ030049	SINGLE INFINITE SWITCH	2	EA	
6	074017-000	Dual infinite switch kit	3	EACH	
7	017582-000	LIGHT HOUSING, BLUE NEON	1	EA	
8	017579-000	LENS, BLUE	1	EA	

SURFACE COOKING AREA



Item	Part No.	Name	Qty	Uom	NOTES
1	017277-000	TOP, BK -GLASS ASM, 36"	1	EA	
NI	019809-000	WH TOP, ASM, 36"	1	EA	
2	076901-000	ASM, ELEMENT, RIBBON - 3000/1400W	1	EACH	
3	PJ020002	ELEMENT 2200 (750)	1	EA	
4	076900-000	ASM, ELEMENT, RIBBON - 1500W	1	EA	
5	PC010006	GUIDE SPRING DESU	9	EA	
6	PD040056	ELEMENT STUD NUT	18	EA	NO LONGER AVAILABLE
7	A2005715	GUIDE HAT BRACKET (DECU)	9	EA	
8	PD010148	ELEMENT STUD	9	EA	
9	PD020004	10X3/8PH.HD.TYPE 25 REPL PD040125	28	EA	
10	054135-000	BLOCK, TERMINAL, 6-POLE (Heyco # 9454)	1	EA	
11	A2005726	DECU36 LIGHT HOLDER	1	EA	
12	000630-000	DECU SUPPORT BRACKET	2	EA	
13	PE050113	DECU INDICATOR LIGHT (SP-2185-BDPS)	5	EA	
14	079358-000	Bridge element replacement kit	1	EACH	



Appendix A:Pages Index

BURNER BOX AREA ..... 1  
CONTROL AREA ..... 2  
SURFACE COOKING AREA ..... 3



Appendix B:Parts Index

000630-000	3
013957-000	2
013959-000	2
014559-000	2
014560-000	2
017277-000	3
017579-000	2
017582-000	2
019809-000	3
054135-000	3
074017-000	2
076900-000	3
076901-000	3
079358-000	3
A2005708	1
A2005715	3
A2005721	1
A2005726	3
A2005798	1
PB020071	1
PB040070	1
PB070078	2
PC010006	3
PD010148	3
PD020004	1, 3
PD020123	1
PD020269	2
PD030029	1
PD040005	1
PD040034	1
PD040056	3
PE050113	3
PJ020002	3
PJ030049	2