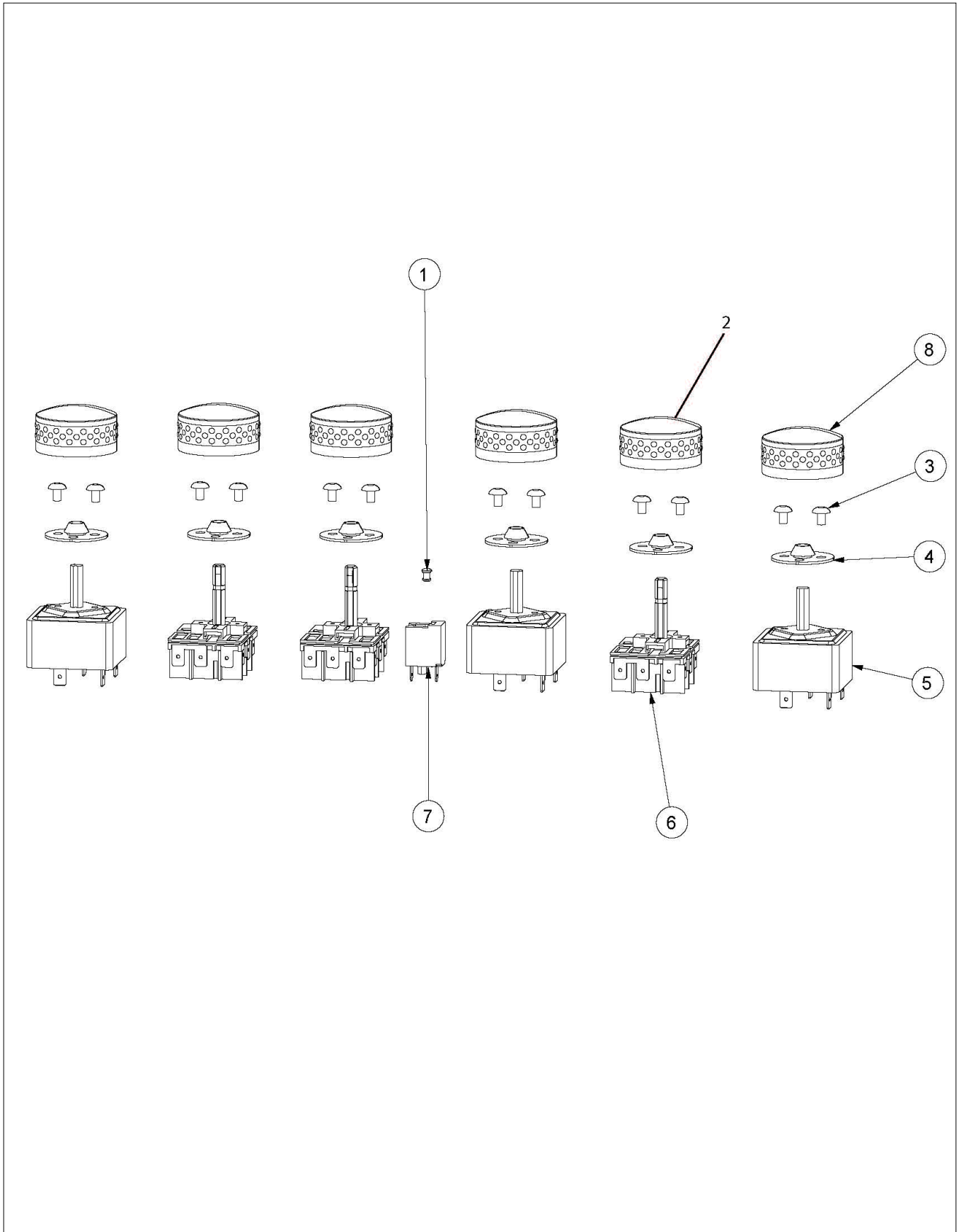


# **DECU156-6B**

DECU156-6B CONTROL .....	1
DECU156-6B SURFACE COOKING .....	2
DECU156-6B UNIT EXTERIOR .....	3
Appendix A:Pages Index .....	A
Appendix B:Parts Index .....	B

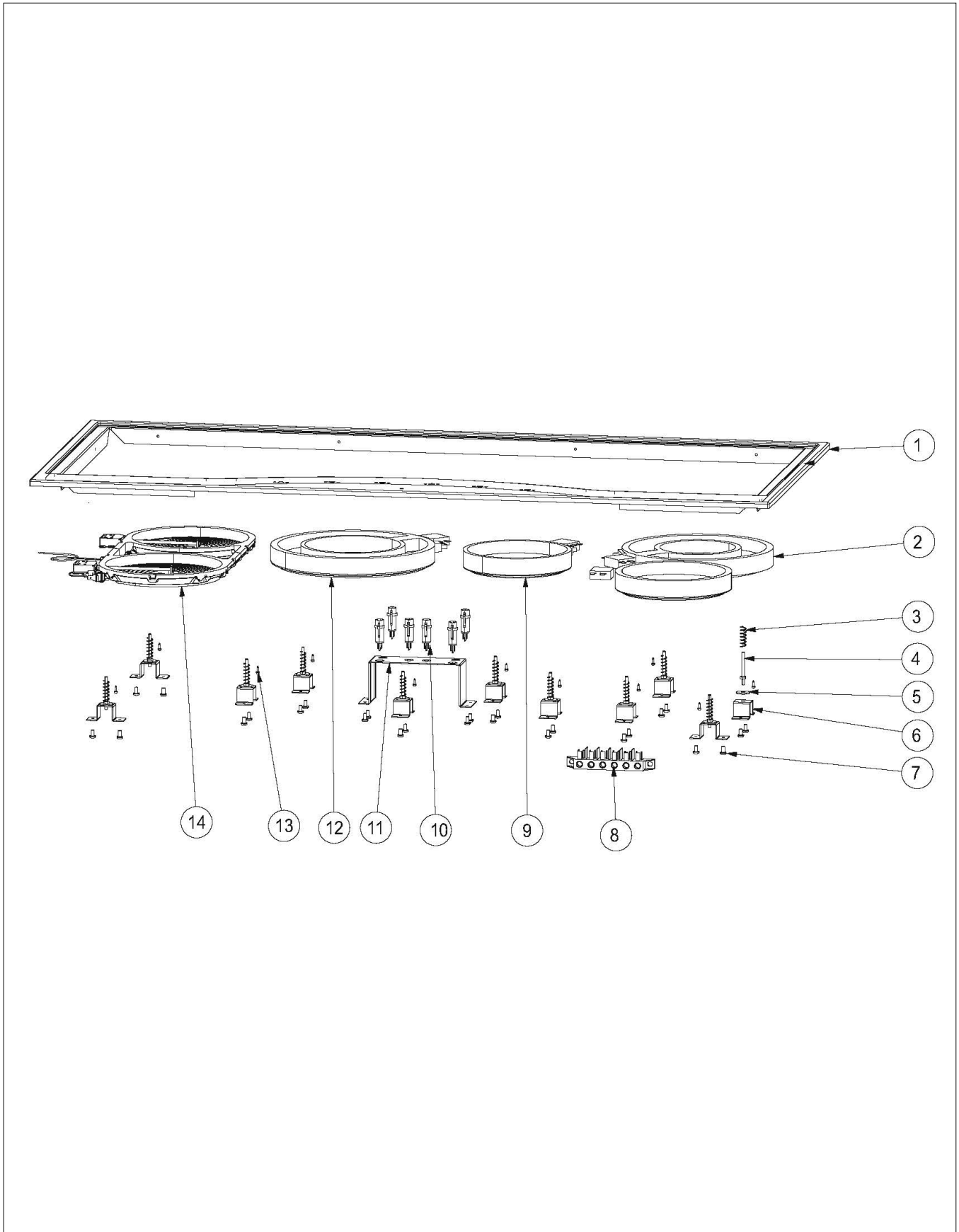
DECU156-6B CONTROL





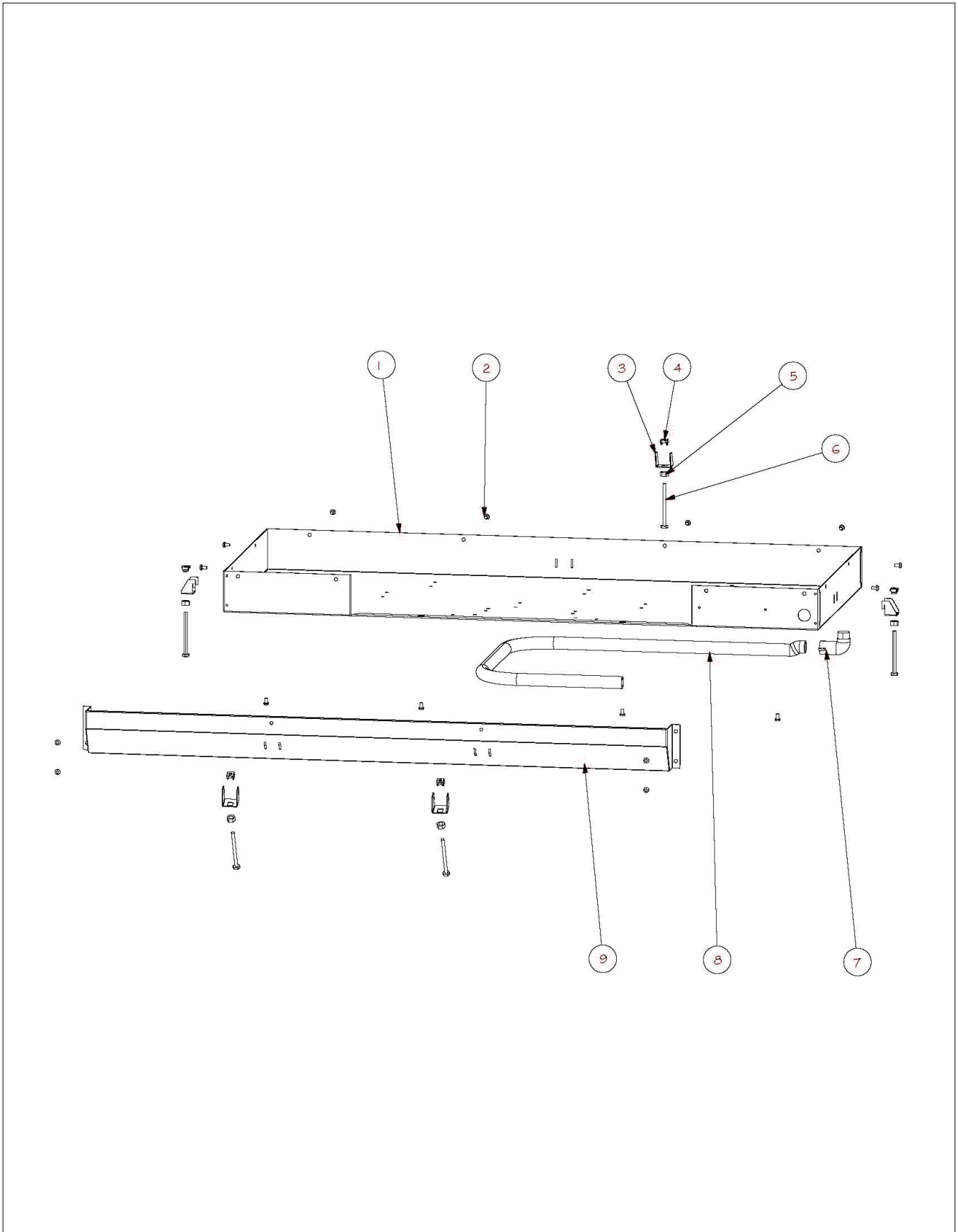
Item	Part No.	Name	Qty	Uom	NOTES
1	017579-000	LENS, BLUE	1	EA	
2	013957-000	KNOB, ASM, DESG COOKTOP	3	EA	
3	PD020044	#8-32 X 1/4" PH. TR. HD. M.S.	12	EA	
4	PB070078	SILICONE GASKET (DESU)	6	EA	
5	PJ030049	SINGLE INFINITE SWITCH	3	EA	
6	074017-000	Dual infinite switch kit	3	EACH	
7	017582-000	LIGHT HOUSING, BLUE NEON	1	EA	
8	014559-000	KNOB, BLACK, SLEEVE, DESG COOKTOP	3	EA	

DECU156-6B SURFACE COOKING



Item	Part No.	Name	Qty	Uom	NOTES
1	017275-000	TOP, BK - GLASS ASM, 45"	1	EA	NO LONGER AVAILABLE
2	PJ020002	ELEMENT 2200 (750)	1	EA	
3	PC010006	GUIDE SPRING DESU	11	EA	
4	PD010148	ELEMENT STUD	11	EA	
5	PD040054	ELEMENT STUD WASHER	11	EA	NO LONGER AVAILABLE, Not available online / Call for pricing and availability
6	A2005715	GUIDE HAT BRACKET (DECU)	11	EA	
7	PD020004	10X3/8PH.HD.TYPE 25 REPL PD040125	26	EA	
8	054135-000	BLOCK, TERMINAL, 6-POLE (Heyco # 9454)	1	EA	
9	PJ020006	1200 ELEMENT	1	EA	
10	PE050113	DECU INDICATOR LIGHT (SP-2185-BDPS)	6	EA	
11	A2005727	DECU45 LIGHT BRACKET	1	EA	NO LONGER AVAILABLE, Not available online / Call for pricing and availability
12	076901-000	ASM, ELEMENT, RIBBON - 3000/1400W	1	EACH	
13	PD020013	TYPE "AB" #6 X 3/8 PH PAN HD. SMS	10	EA	
14	079358-000	Bridge element replacement kit	1	EACH	

DECU156-6B UNIT EXTERIOR



Item	Part No.	Name	Qty	Uom	NOTES
1	A2005709	BURNER BOX 45 (DECU)	1	EA	NO LONGER AVAILABLE, Not available online / Call for pricing and availability
2	PD020004	10X3/8PH.HD.TYPE 25 REPL PD040125	16	EA	
3	A2005721	MOUNT BRACKET (DECU)	5	EA	
4	PD030029	SELF RETAINING NUT (1/4-20)	5	EA	
5	PD030008	HEX NUT	5	EA	
6	PD020123	BOLT 1/4-20 X 3 HEX HD	5	EA	
7	PB040070	CONDUIT FITTING (90 DEG)	1	EA	
8	PB020071	CONDUIT - FLEXIBLE (48")	1	EA	
9	A2005799	DECU155 CONTROL COVER	1	EA	NO LONGER AVAILABLE, Not available online / Call for pricing and availability



Appendix A:Pages Index

DECU156-6B CONTROL ..... 1  
DECU156-6B SURFACE COOKING .....2  
DECU156-6B UNIT EXTERIOR .....3



Appendix B:Parts Index

013957-000 ..... 1  
014559-000 ..... 1  
017275-000 ..... 2  
017579-000 ..... 1  
017582-000 ..... 1  
054135-000 ..... 2  
074017-000 ..... 1  
076901-000 ..... 2  
079358-000 ..... 2  
A2005709 ..... 3  
A2005715 ..... 2  
A2005721 ..... 3  
A2005727 ..... 2  
A2005799 ..... 3  
PB020071 ..... 3  
PB040070 ..... 3  
PB070078 ..... 1  
PC010006 ..... 2  
PD010148 ..... 2  
PD020004 ..... 2, 3  
PD020013 ..... 2  
PD020044 ..... 1  
PD020123 ..... 3  
PD030008 ..... 3  
PD030029 ..... 3  
PD040054 ..... 2  
PE050113 ..... 2  
PJ020002 ..... 2  
PJ020006 ..... 2  
PJ030049 ..... 1