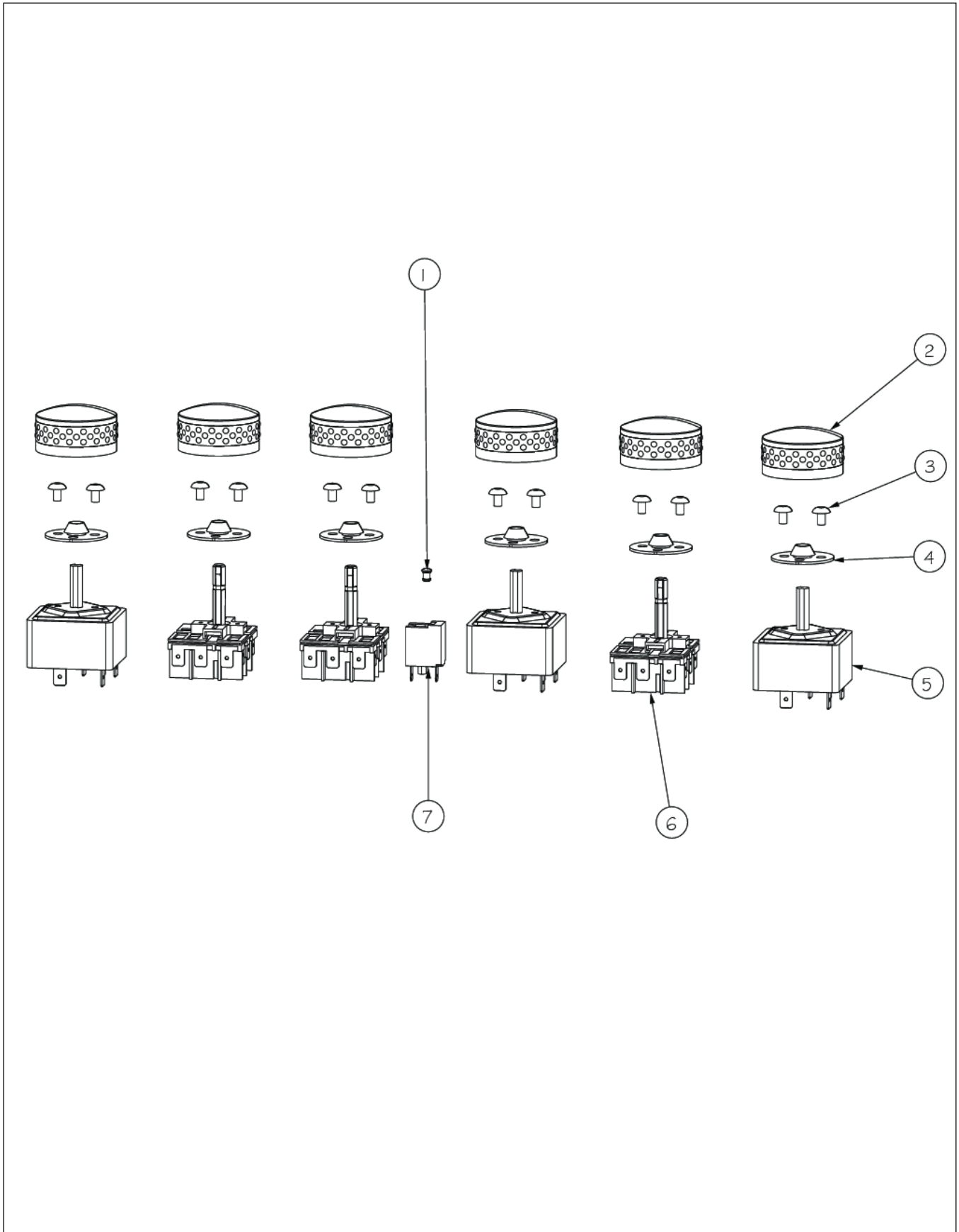


**DECU155-6B**

CONTROL AREA .....	1
SURFACE COOKING AREA .....	2
UNIT EXTERIOR .....	3
Appendix A:Pages Index .....	A
Appendix B:Parts Index .....	B

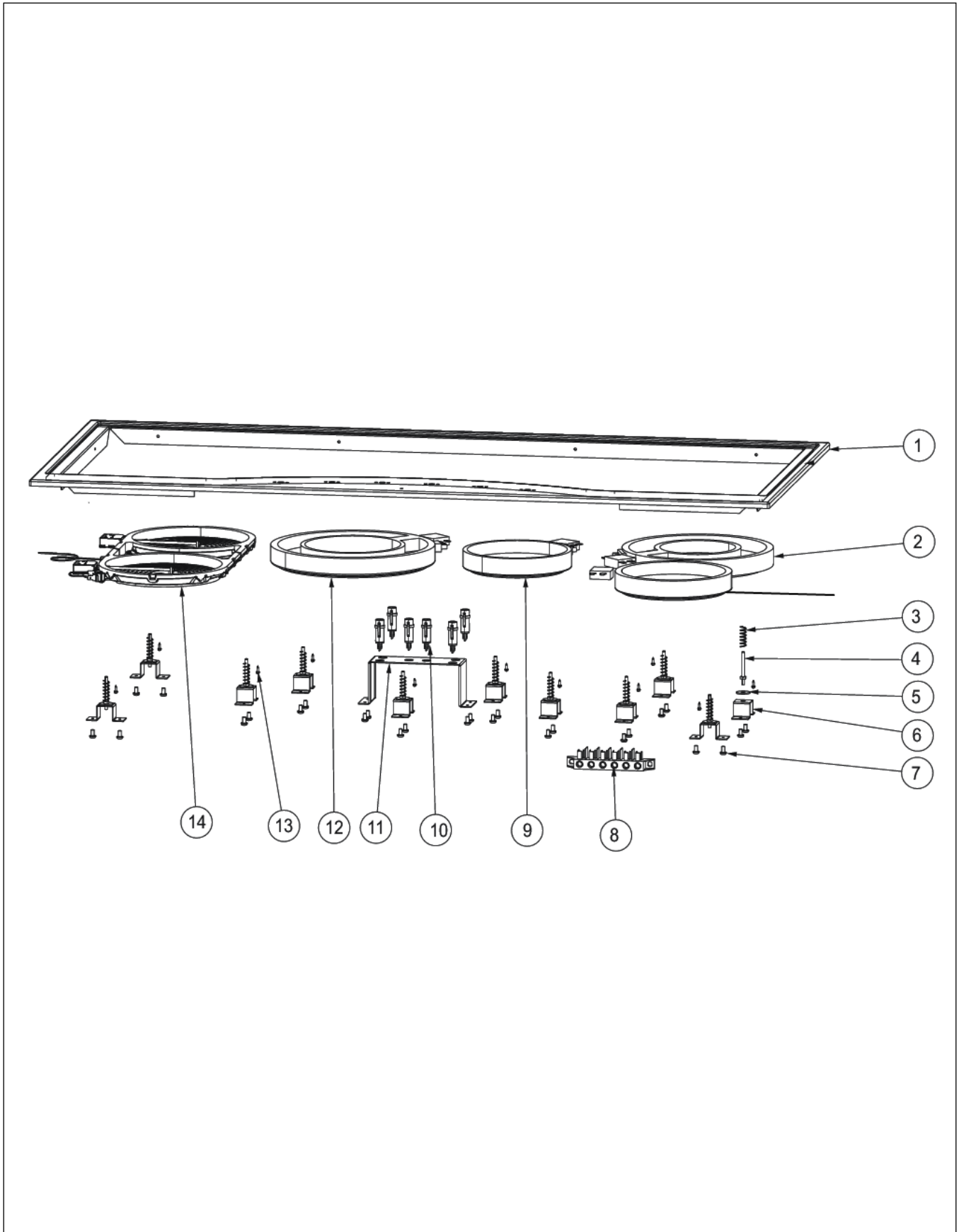
CONTROL AREA





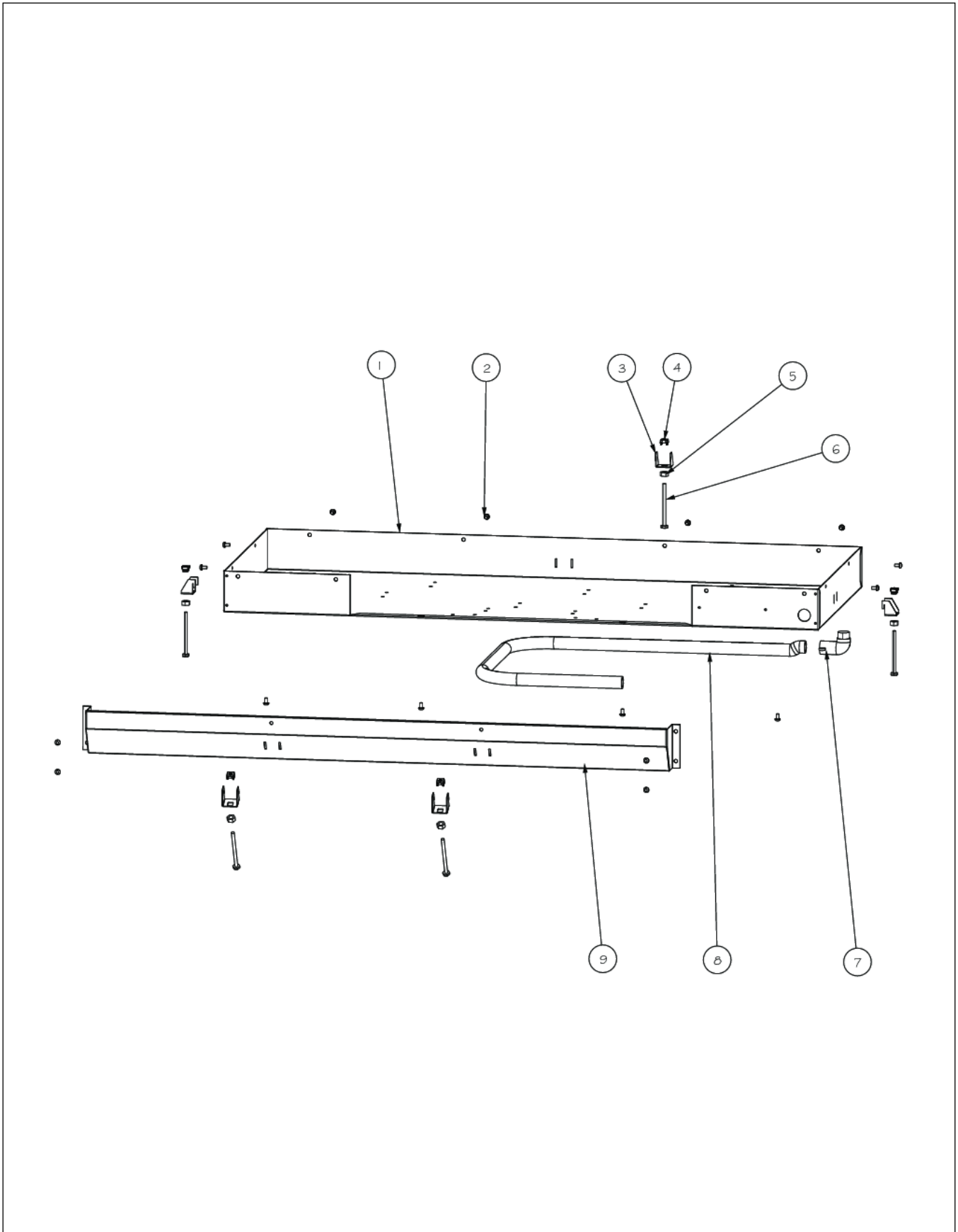
Item	Part No.	Name	Qty	Uom	NOTES
1	PE050080	JEMCO LENS	1	EA	NO LONGER AVAILABLE
2	PB010199	ELECTRIC DESIGNER COOKTOP KNOB (BK)	6	EA	
2	PB010213PVD	ELECT. DESIGNER COOKTOP KNOB BRASS	6	EA	NO LONGER AVAILABLE
3	PD020044	#8-32 X 1/4" PH. TR. HD. M.S.	12	EA	
4	PB070078	SILICONE GASKET (DESU)	6	EA	
5	PJ030019	INFINITE SWITCH	3	EA	
6	074017-000	Dual infinite switch kit	3	EACH	
7	PE050079	LENS OPENING	1	EA	

SURFACE COOKING AREA



Item	Part No.	Name	Qty	Uom	NOTES
1	017721-000	DESIGNER TOP ASSY DECU155-6BSB	1	EA	
1	G5005742	DESIGNER TOP ASSY DECU155-6BSW	1	EA	Not available online / Call for pricing and availability
2	PJ020002	ELEMENT 2200 (750)	1	EA	
3	PC010006	GUIDE SPRING DESU	11	EA	
4	PD010148	ELEMENT STUD	11	EA	
5	PD040054	ELEMENT STUD WASHER	11	EA	NO LONGER AVAILABLE, Not available online / Call for pricing and availability
6	A2005715	GUIDE HAT BRACKET (DECU)	11	EA	
7	PD020004	10X3/8PH.HD.TYPE 25 REPL PD040125	26	EA	
8	054135-000	BLOCK, TERMINAL, 6-POLE (Heyco # 9454)	1	EA	
9	PJ020006	1200 ELEMENT	1	EA	
10	PE050113	DECU INDICATOR LIGHT (SP- 2185-BDPS)	6	EA	
11	A2005727	DECU45 LIGHT BRACKET	1	EA	NO LONGER AVAILABLE, Not available online / Call for pricing and availability
12	076901-000	ASM, ELEMENT, RIBBON - 3000/1400W	1	EACH	
13	PD020013	TYPE "AB" #6 X 3/8 PH PAN HD. SMS	10	EA	
14	079358-000	Bridge element replacement kit	1	EACH	
15	076900-000	ASM, ELEMENT, RIBBON - 1500W	1	EA	

UNIT EXTERIOR



Item	Part No.	Name	Qty	Uom	NOTES
1	A2005709	BURNER BOX 45 (DECU)	1	EA	NO LONGER AVAILABLE, Not available online / Call for pricing and availability
2	PD020004	10X3/8PH.HD.TYPE 25 REPL PD040125	16	EA	
3	A2005721	MOUNT BRACKET (DECU)	5	EA	
4	PD030029	SELF RETAINING NUT (1/4-20)	5	EA	
5	PD030008	HEX NUT	5	EA	
6	PD020123	BOLT 1/4-20 X 3 HEX HD	5	EA	
7	PB040070	CONDUIT FITTING (90 DEG)	1	EA	
8	PB020071	CONDUIT - FLEXIBLE (48")	1	EA	
9	A2005799	DECU155 CONTROL COVER	1	EA	NO LONGER AVAILABLE, Not available online / Call for pricing and availability



Appendix A:Pages Index

CONTROL AREA ..... 1  
SURFACE COOKING AREA ..... 2  
UNIT EXTERIOR ..... 3



Appendix B:Parts Index

017721-000	2
054135-000	2
074017-000	1
076900-000	2
076901-000	2
079358-000	2
A2005709	3
A2005715	2
A2005721	3
A2005727	2
A2005799	3
G5005742	2
PB010199	1
PB010213PVD	1
PB020071	3
PB040070	3
PB070078	1
PC010006	2
PD010148	2
PD020004	2, 3
PD020013	2
PD020044	1
PD020123	3
PD030008	3
PD030029	3
PD040054	2
PE050079	1
PE050080	1
PE050113	2
PJ020002	2
PJ020006	2
PJ030019	1