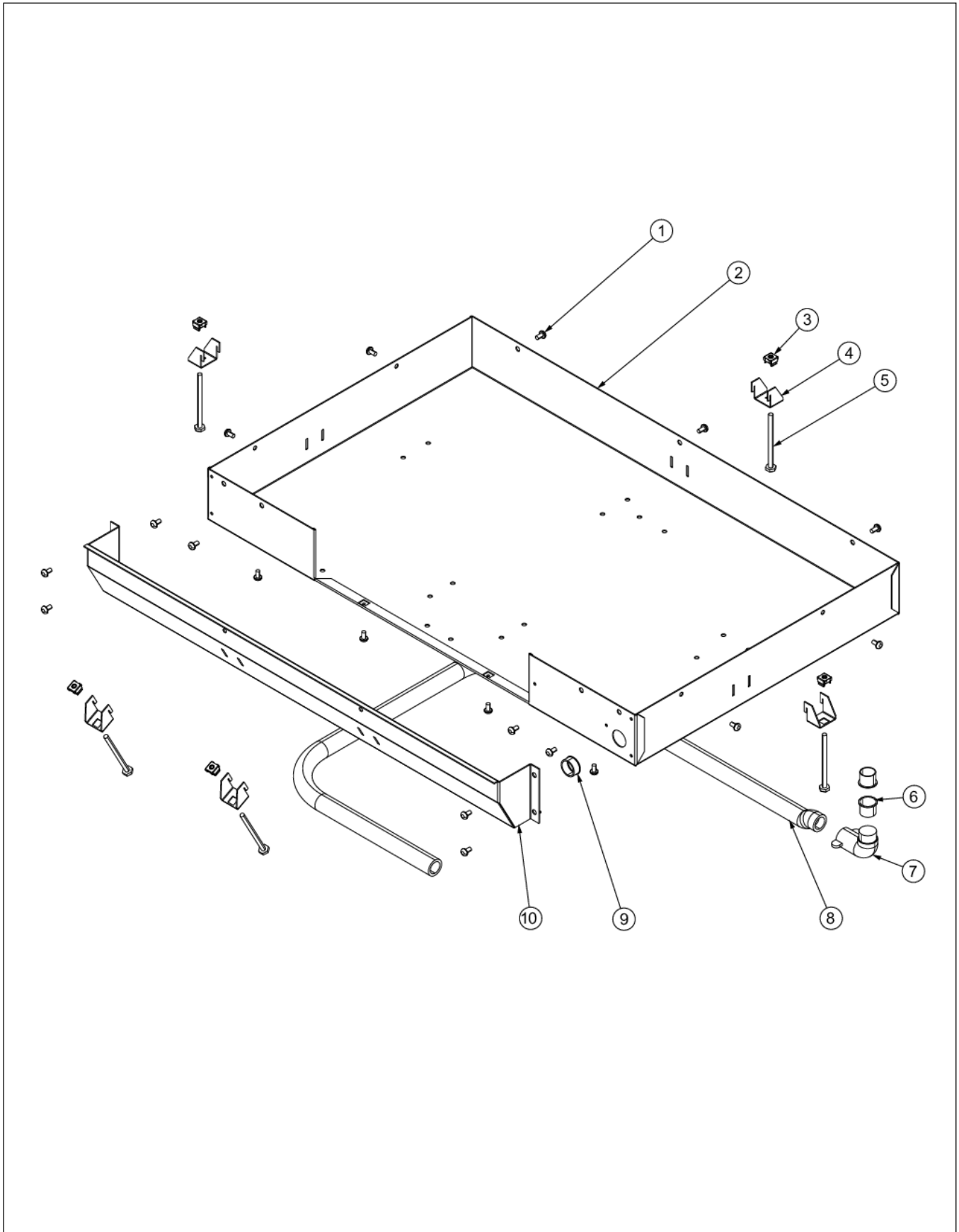


DECU106-4B

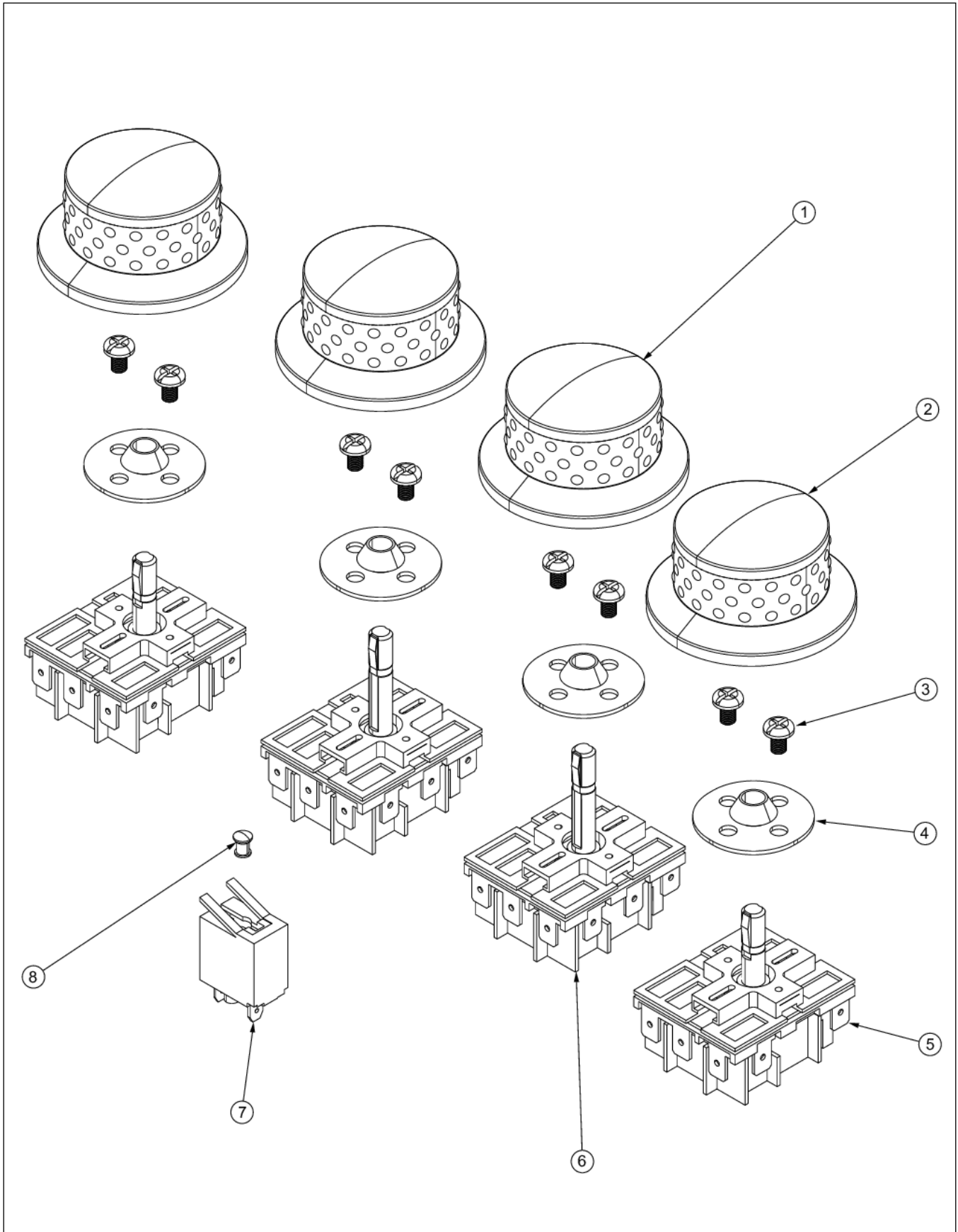
BURNER BOX AREA	1
CONTROL AREA	2
SURFACE COOKING AREA	3
Appendix A:Pages Index	A
Appendix B:Parts Index	B

BURNER BOX AREA



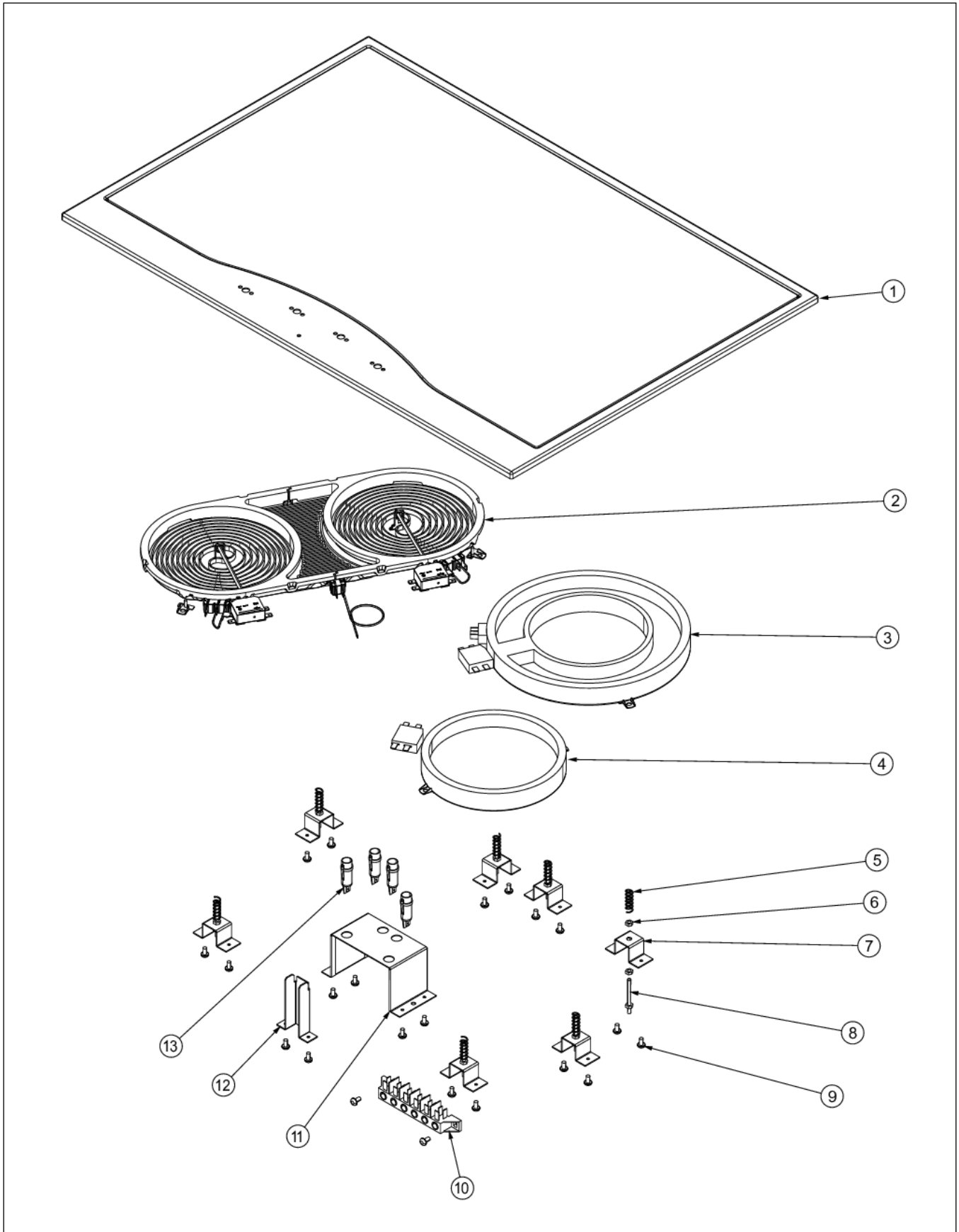
Item	Part No.	Name	Qty	Uom	NOTES
1	PD020004	10X3/8PH.HD.TYPE 25 REPL PD040125	19	EA	
2	A2005704	BURNER BOX 30 (DECU)	1	EA	NO LONGER AVAILABLE, Not available online / Call for pricing and availability
3	PD030029	SELF RETAINING NUT (1/4-20)	5	EA	
4	A2005721	MOUNT BRACKET (DECU)	5	EA	
5	PD020123	BOLT 1/4-20 X 3 HEX HD	5	EA	
6	PD040034	CONDUIT GROMMET (1/2")	2	EA	
7	PB040070	CONDUIT FITTING (90 DEG)	1	EA	
8	PB020071	CONDUIT - FLEXIBLE (48")	1	EA	
9	PD040005	SNAP BUSHING - 7/8"	1	EA	
10	A2005797	DECU105 CONTROL COVER	1	EA	NO LONGER AVAILABLE, Not available online / Call for pricing and availability

CONTROL AREA



Item	Part No.	Name	Qty	Uom	NOTES
1	014559-000	KNOB, BLACK, SLEEVE, DESG COOKTOP	2	EA	
2	013957-000	KNOB, ASM, DESG COOKTOP	2	EA	
3	PD020269	#8 PAN HEAD SCREW	8	EA	
4	PB070078	SILICONE GASKET (DESU)	4	EA	
5	PJ030049	SINGLE INFINITE SWITCH	2	EA	
6	074017-000	Dual infinite switch kit	2	EACH	
7	017582-000	LIGHT HOUSING, BLUE NEON	1	EA	
8	017579-000	LENS, BLUE	1	EA	

SURFACE COOKING AREA



Item	Part No.	Name	Qty	Uom	NOTES
1	017273-000	TOP, BK - GLASS ASM, 30"	1	EA	
2	079358-000	Bridge element replacement kit	1	EACH	
3	076901-000	ASM, ELEMENT, RIBBON - 3000/1400W	1	EACH	
4	076900-000	ASM, ELEMENT, RIBBON - 1500W	1	EA	
5	PC010006	GUIDE SPRING DESU	7	EA	
6	PD040056	ELEMENT STUD NUT	14	EA	NO LONGER AVAILABLE
7	A2005715	GUIDE HAT BRACKET (DECU)	7	EA	
8	PD010148	ELEMENT STUD	7	EA	
9	PD020004	10X3/8PH.HD.TYPE 25 REPL PD040125	22	EA	
10	054135-000	BLOCK, TERMINAL, 6-POLE (Heyco # 9454)	1	EA	
11	A2005723	DECU30 LIGHT BRACKET	1	EA	NO LONGER AVAILABLE, Not available online / Call for pricing and availability
12	000630-000	DECU SUPPORT BRACKET	1	EA	
13	PE050113	DECU INDICATOR LIGHT (SP-2185-BDPS)	4	EA	



Appendix A:Pages Index

BURNER BOX AREA 1
CONTROL AREA 2
SURFACE COOKING AREA 3



Appendix B:Parts Index

000630-000 3
013957-000 2
014559-000 2
017273-000 3
017579-000 2
017582-000 2
054135-000 3
074017-000 2
076900-000 3
076901-000 3
079358-000 3
A2005704 1
A2005715 3
A2005721 1
A2005723 3
A2005797 1
PB020071 1
PB040070 1
PB070078 2
PC010006 3
PD010148 3
PD020004 1, 3
PD020123 1
PD020269 2
PD030029 1
PD040005 1
PD040034 1
PD040056 3
PE050113 3
PJ030049 2