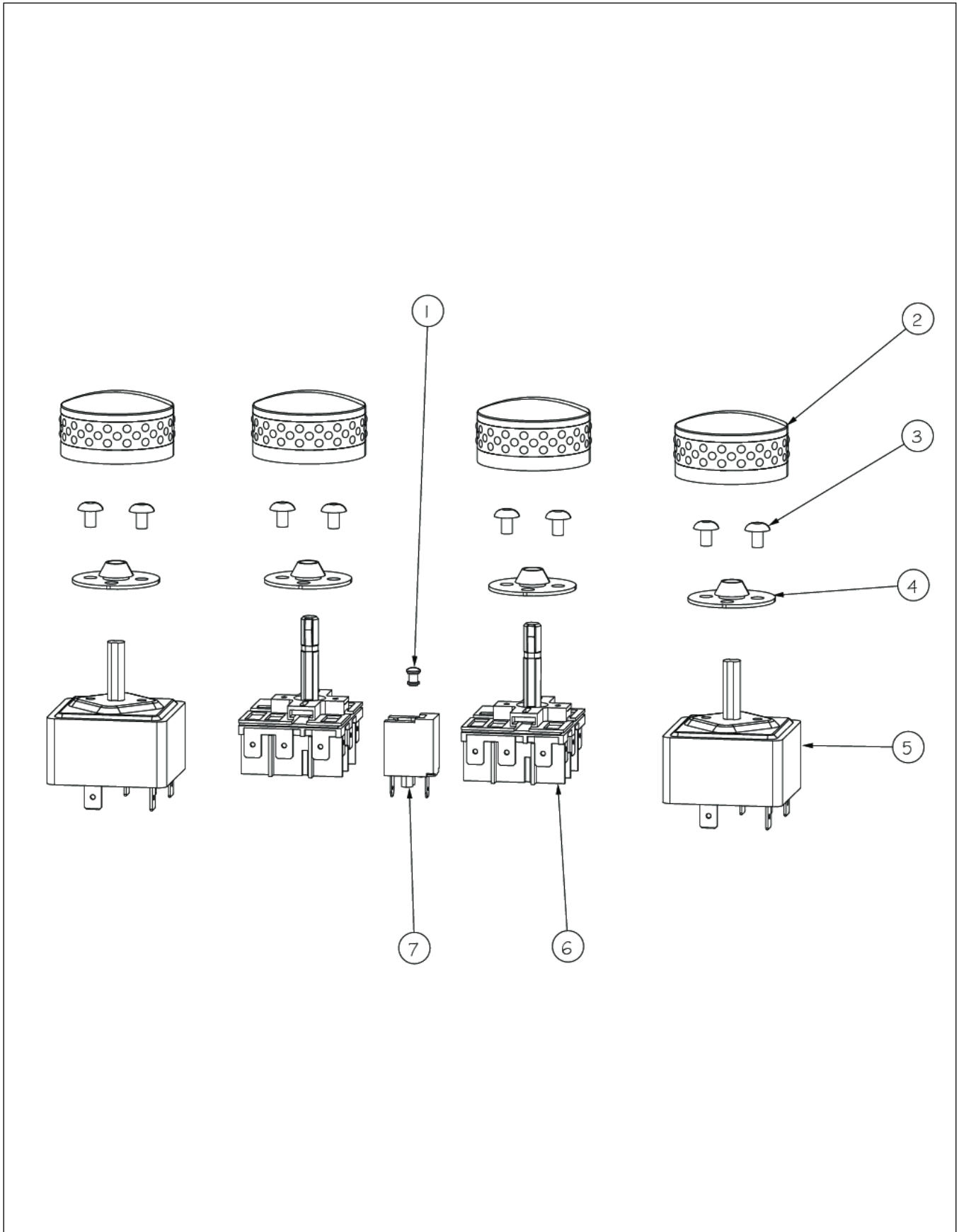


**DECU105-4B**

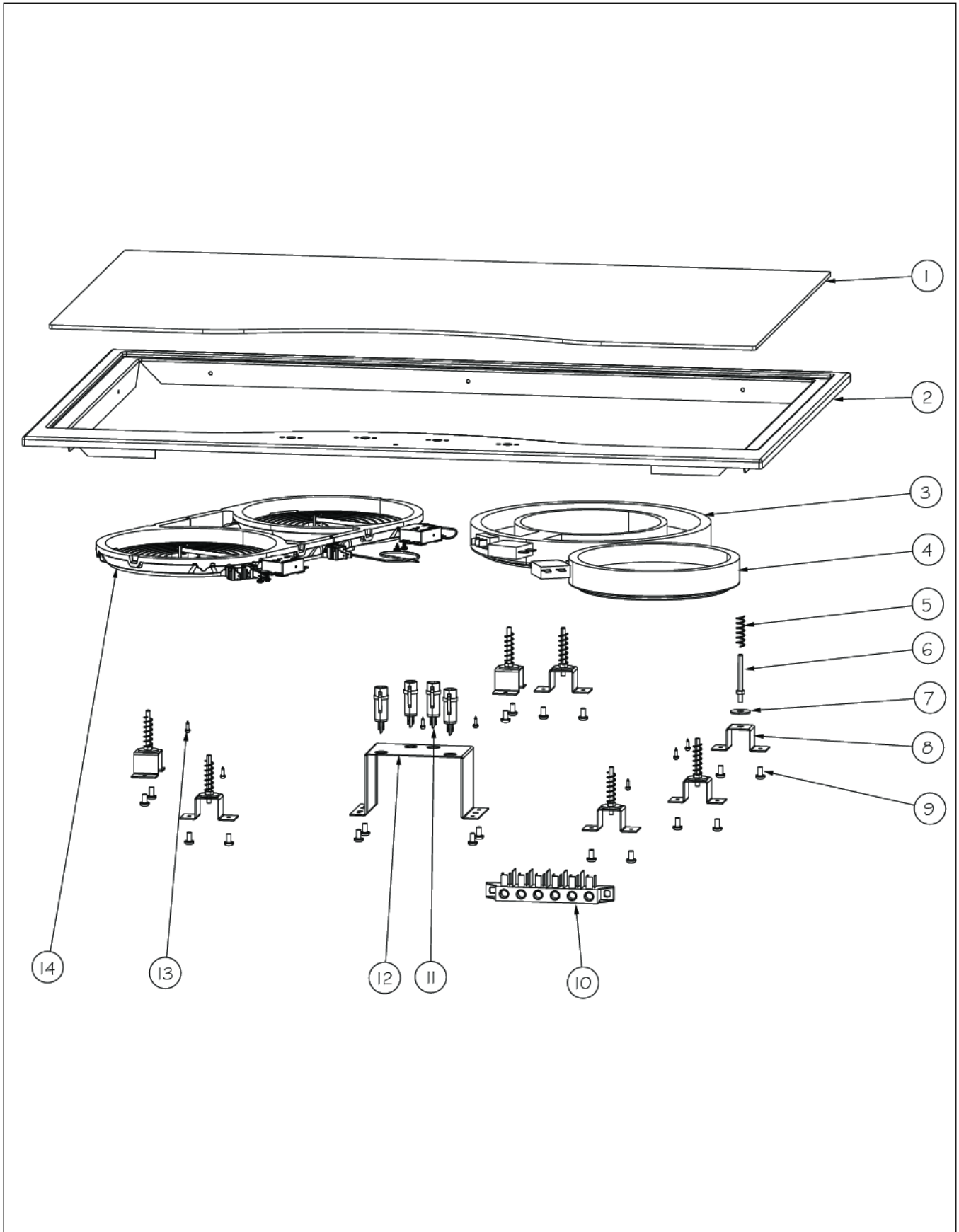
CONTROL AREA .....	1
SURFACE COOKING AREA .....	2
UNIT EXTERIOR .....	3
Appendix A:Pages Index .....	A
Appendix B:Parts Index .....	B

CONTROL AREA



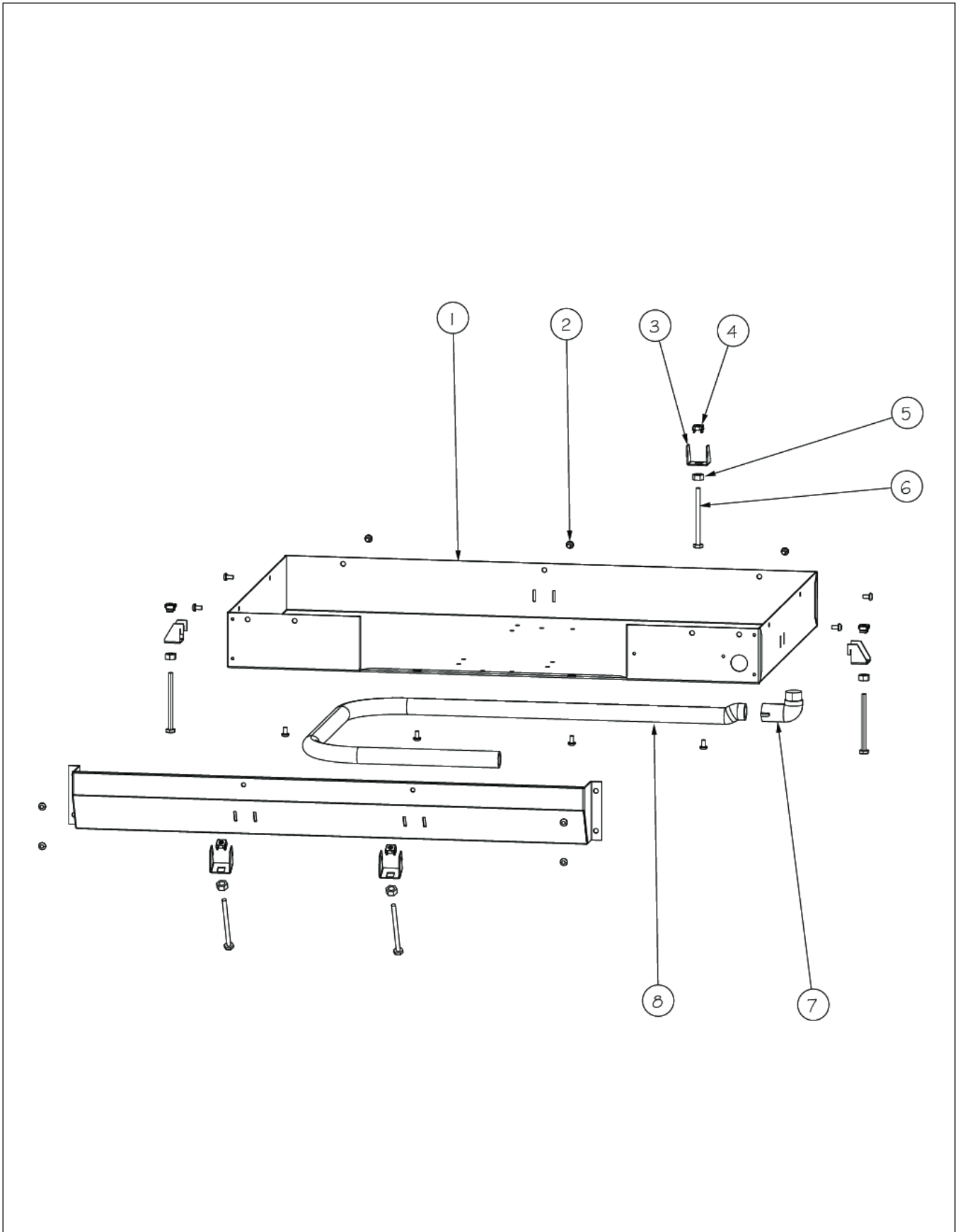
Item	Part No.	Name	Qty	Uom	NOTES
1	PE050080	JEMCO LENS	1	EA	NO LONGER AVAILABLE
2	PB010199	ELECTRIC DESIGNER COOKTOP KNOB (BK)	4	EA	
3	PD020044	#8-32 X 1/4" PH. TR. HD. M.S.	8	EA	
4	PB070078	SILICONE GASKET (DESU)	4	EA	
5	PJ030019	INFINITE SWITCH	2	EA	
6	074017-000	Dual infinite switch kit	2	EACH	
7	PE050079	LENS OPENING	1	EA	

SURFACE COOKING AREA



Item	Part No.	Name	Qty	Uom	NOTES
1	N/A	30 DECU GLASS BLACK	1	EA	
2	N/A	TOP, ASM, DECU105-4B	1	EA	
NI	017716-000	DESIGNER TOP ASSY DECU105-4BSB	1	EA	
	NOTE	INCLUDES ITEMS 1 & 2		EA	
3	076901-000	ASM, ELEMENT, RIBBON - 3000/1400W	1	EACH	
4	076900-000	ASM, ELEMENT, RIBBON - 1500W	1	EA	
5	PC010006	GUIDE SPRING DESU	7	EA	
6	PD010148	ELEMENT STUD	7	EA	
7	PD040054	ELEMENT STUD WASHER	7	EA	NO LONGER AVAILABLE, Not available online / Call for pricing and availability
8	A2005715	GUIDE HAT BRACKET (DECU)	7	EA	
9	PD020004	10X3/8PH.HD.TYPE 25 REPL PD040125	18	EA	
10	054135-000	BLOCK, TERMINAL, 6-POLE (Heyco # 9454)	1	EA	
11	PE050113	DECU INDICATOR LIGHT (SP- 2185-BDPS)	4	EA	
12	A2005723	DECU30 LIGHT BRACKET	1	EA	NO LONGER AVAILABLE, Not available online / Call for pricing and availability
13	PD020013	TYPE "AB" #6 X 3/8 PH PAN HD. SMS	7	EA	
14	079358-000	Bridge element replacement kit	1	EACH	

UNIT EXTERIOR



Item	Part No.	Name	Qty	Uom	NOTES
1	A2005704	BURNER BOX 30 (DECU)	1	EA	NO LONGER AVAILABLE, Not available online / Call for pricing and availability
2	PD020004	10X3/8PH.HD.TYPE 25 REPL PD040125	15	EA	
3	A2005721	MOUNT BRACKET (DECU)	5	EA	
4	PD030029	SELF RETAINING NUT (1/4-20)	5	EA	
5	PD030008	HEX NUT	5	EA	
6	PD020123	BOLT 1/4-20 X 3 HEX HD	5	EA	
7	PB040070	CONDUIT FITTING (90 DEG)	1	EA	
8	PB020071	CONDUIT - FLEXIBLE (48")	1	EA	



Appendix A:Pages Index

CONTROL AREA ..... 1  
SURFACE COOKING AREA ..... 2  
UNIT EXTERIOR ..... 3



Appendix B:Parts Index

017716-000 ..... 2  
054135-000 ..... 2  
074017-000 ..... 1  
076900-000 ..... 2  
076901-000 ..... 2  
079358-000 ..... 2  
A2005704 ..... 3  
A2005715 ..... 2  
A2005721 ..... 3  
A2005723 ..... 2  
PB010199 ..... 1  
PB020071 ..... 3  
PB040070 ..... 3  
PB070078 ..... 1  
PC010006 ..... 2  
PD010148 ..... 2  
PD020004 ..... 2, 3  
PD020013 ..... 2  
PD020044 ..... 1  
PD020123 ..... 3  
PD030008 ..... 3  
PD030029 ..... 3  
PD040054 ..... 2  
PE050079 ..... 1  
PE050080 ..... 1  
PE050113 ..... 2  
PJ030019 ..... 1