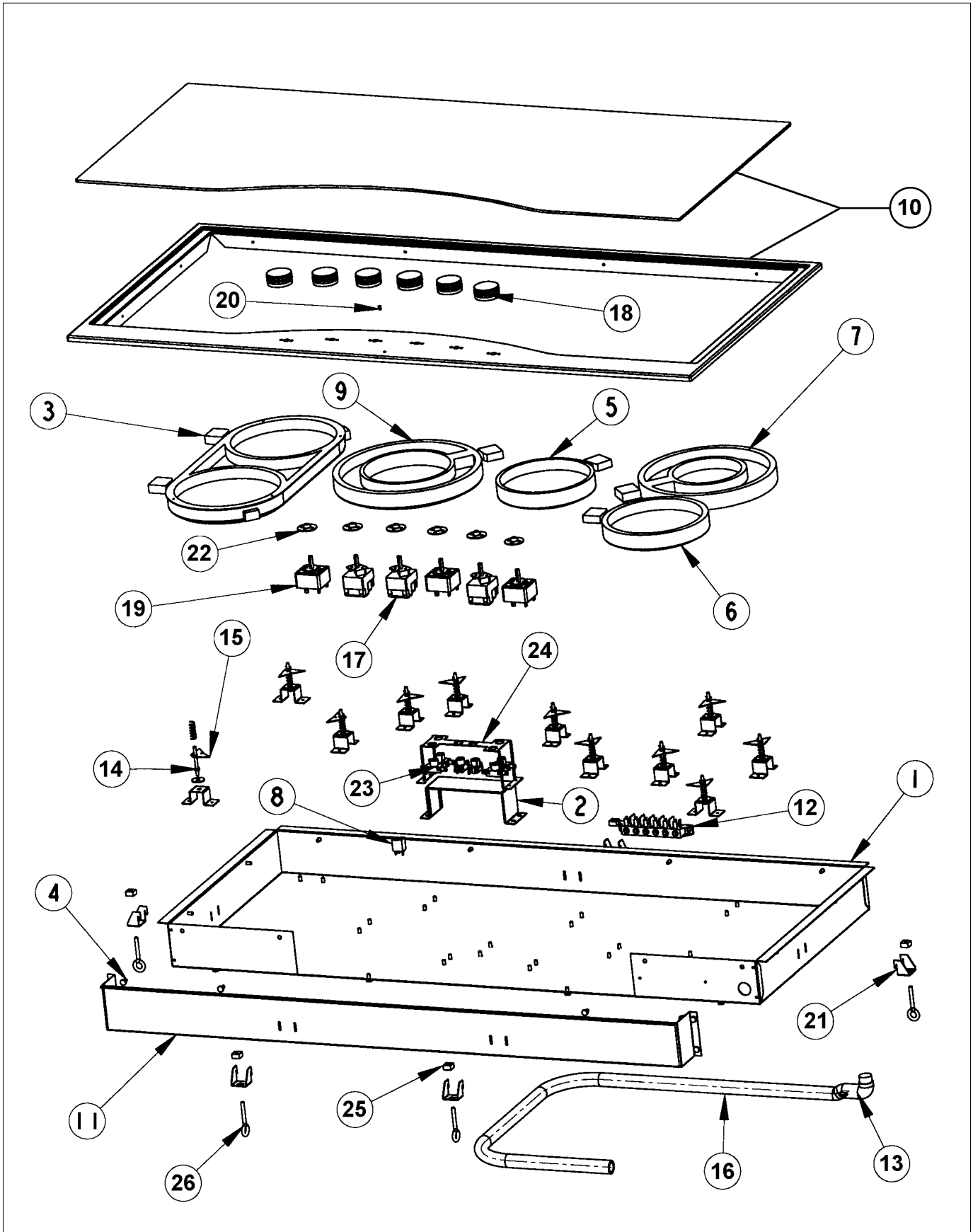


CDECU105

UNIT COMPONENTS	1
Appendix A:Pages Index	A
Appendix B:Parts Index	B

UNIT COMPONENTS



Item	Part No.	Name	Qty	Uom	NOTES
1	A2005704	BURNER BOX 30 (DECU)	1	EA	NO LONGER AVAILABLE, Not available online / Call for pricing and availability
2	A2005723	DECU30 LIGHT BRACKET	1	EA	NO LONGER AVAILABLE, Not available online / Call for pricing and availability
3	079358-000	Bridge element replacement kit	1	EACH	
4	PD020004	10X3/8PH.HD.TYPE 25 REPL PD040125	1	EA	
5	N/A*	1200 ELEMENT (155)	1	EA	
6	076900-000	ASM, ELEMENT, RIBBON - 1500W	1	EA	
7	N/A*	2200 ELEMENT (155/165)	1	EA	
8	PE050079	LENS OPENING	1	EA	
9	076901-000	ASM, ELEMENT, RIBBON - 3000/1400W	1	EACH	
10	G5008271	FRAME & GLASS ASSY, BK (105)	1	EA	Not available online / Call for pricing and availability
	G5008272	FRAME & GLASS ASSY, WH (105)	1	EA	Not available online / Call for pricing and availability
11	A2005703	CONTROL PANEL COVER (105)	1	EA	Not available online / Call for pricing and availability
12	054135-000	BLOCK, TERMINAL, 6-POLE (Heyco # 9454)	1	EA	
13	PB040070	CONDUIT FITTING (90 DEG)	1	EA	
14	PD010048	BURNER GUIDE ASSEMBLY DESU	1	EA	
15	A1005716	BURNER GUIDE ATTACHMENT	1	EA	NO LONGER AVAILABLE, Not available online / Call for pricing and availability
16	PB020071	CONDUIT - FLEXIBLE (48")	1	EA	
17	PJ030020	DUAL INFINITE SWITCH	1	EA	
18	PB010199	ELECTRIC DESIGNER COOKTOP KNOB (BK)	1	EA	

Item	Part No.	Name	Qty	Uom	NOTES
	PB010199PVD	ELECT. DESIGNER COOKTOP KNOB BRASS	1	EA	NO LONGER AVAILABLE
19	PJ030019	INFINITE SWITCH	1	EA	
20	PE050080	JEMCO LENS	1	EA	NO LONGER AVAILABLE
21	A2005721	MOUNT BRACKET (DECU)	1	EA	
22	PB070078	SILICONE GASKET (DESU)	1	EA	
23	PE050077	INDICATOR LIGHT	1	EA	
24	A2005724	LIGHT HOLDER (105)	1	EA	
25	PD030027	NUT, HEX JAM #5/8-18 - DISP,NS-17-41	1	EA	NO LONGER AVAILABLE
26	PD010027	EYE BOLT-VGSU101/161	1	EA	



Appendix A:Pages Index

UNIT COMPONENTS 1



Appendix B:Parts Index

054135-000	1
076900-000	1
076901-000	1
079358-000	1
A1005716	1
A2005703	1
A2005704	1
A2005721	1
A2005723	1
A2005724	1
G5008271	1
G5008272	1
PB010199	1
PB010199PVD	1
PB020071	1
PB040070	1
PB070078	1
PD010027	1
PD010048	1
PD020004	1
PD030027	1
PE050077	1
PE050079	1
PE050080	1
PJ030019	1
PJ030020	1